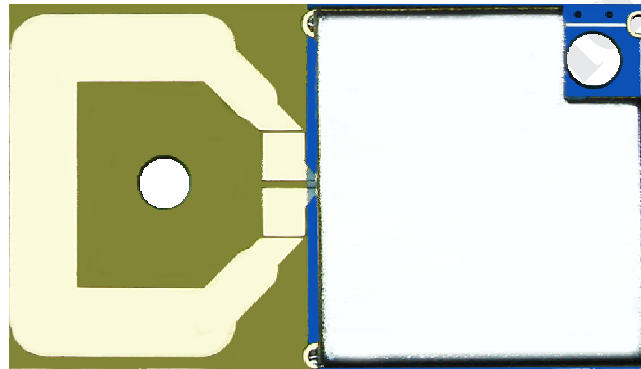

2.4GHz Direct Sequence Spread Spectrum RF Module



Version History

Version	Date	Changes
V1.01	Feb.24, 2009	1 st . Edition

TRW-24DSSS 模組採用直接序列展頻技術(Direct Sequence Spread Spectrum; DSSS)及高斯頻移鍵控調變技術(Gaussian Frequency Shift Key; GFSK)，在 DSSS 模式下最大資料傳輸速率為 250kbps，GFSK 模式下最大資料傳輸速率為 1Mbps，最大發射功率+4dBm 及 Sleep mode 下 1 μ A 的超低耗電，工作電壓範圍 3.6V~6V 適合使用在短距離手持裝置類的應用上，如無線滑鼠、無線鍵盤、無線遙控器、家庭自動化控制及無線玩具等。

Key Feature

- 2.4GHz Sequence Spread Spectrum
- RF Output Power up to +4 dBm
- Receive Sensitivity up to -98 dBm
- Voltage Supply from 3.6V to 6V
- Distance range up to 120m(Open Space)
- GFSK Data rate up to 250Kbps
- DSSS Data rate up to 1Mbps
- Auto transaction sequencer no need MCU
- Dynamic data rate reception
- Battery Voltage Monitoring Circuitry

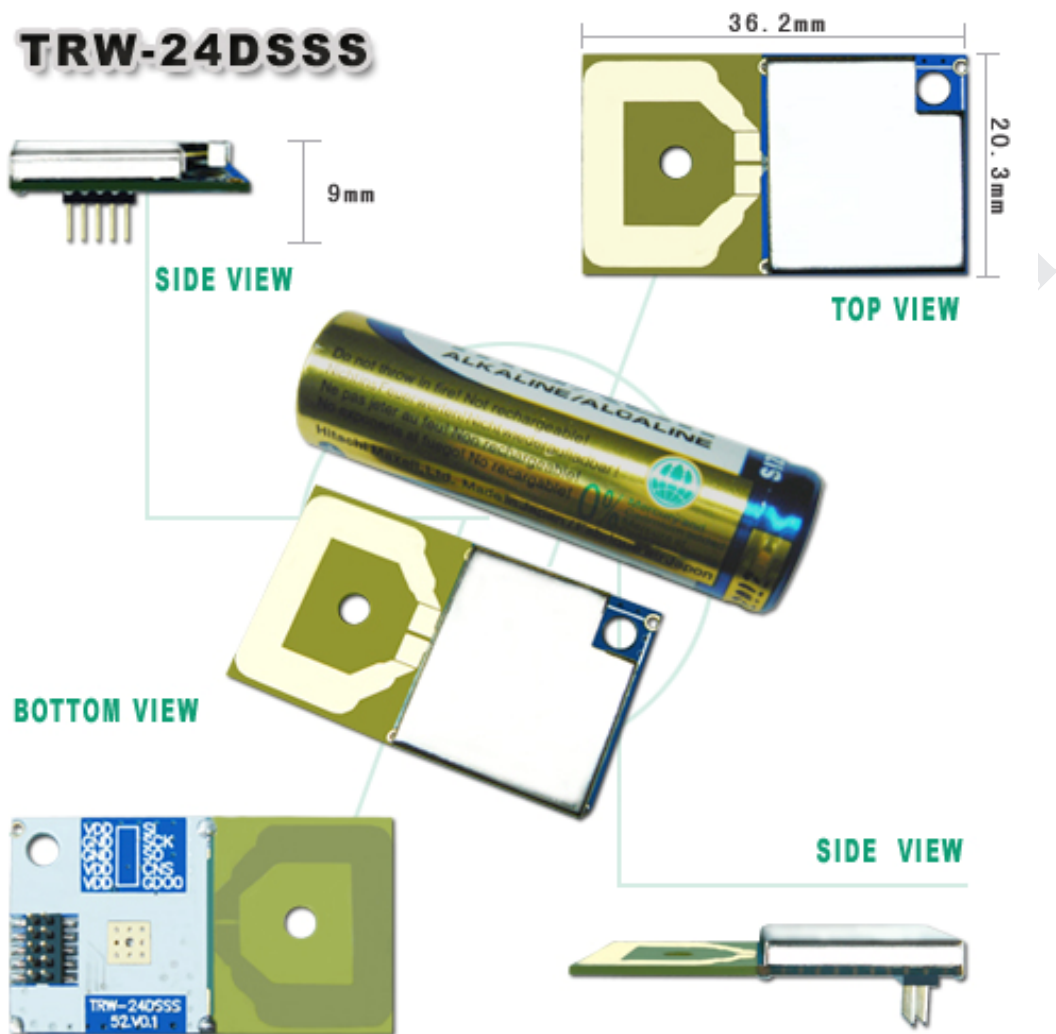
Application

- Wireless Keyboard and Mouse
- Wireless Game Pad
- Remote Control
- Wireless Toys
- VOIP Phone
- Home Automation

Characteristic

Parameter	Min	Type	Max	Unit	Condition
Operating Condition					
Operating Temperature Range	-10		+70	°C	
Storage Temperature Range	-40		+90	°C	
Operating Supply Voltage	3.6		6	V	
Current Consumption					
Rx mode			19	mA	
Tx mode			35	mA	
Sleep mode			1	µA	
RF Characteristic					
Frequency Range	2400		2498	MHz	
Frequency Deviation	270		330	KHz	
Data Rate	15.62 5		1000	Kbps	
Tx Output Power	-35		+4	dBm	8 Step select
Rx Sensitivity			-98	dBm	
Link Turnaround Time	30		65	µs	
Modulation	DSSS				

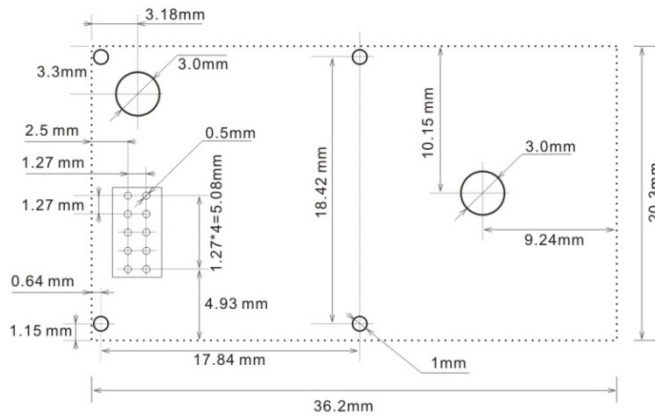
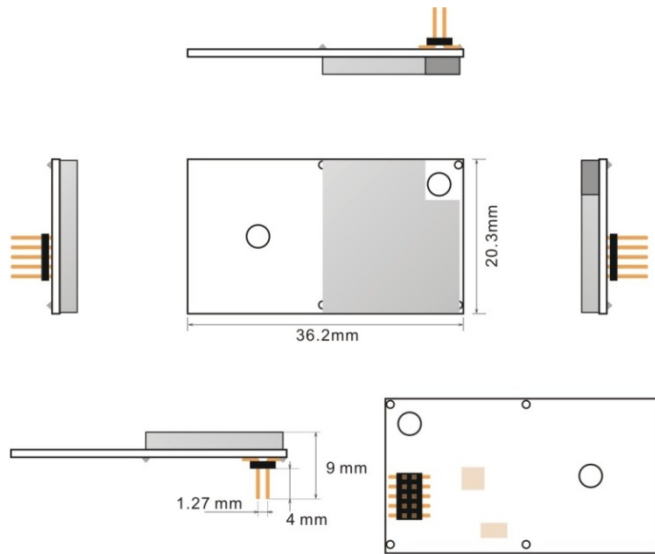
View



Pin Assignment

Pin	Function	I/O	Description
1	P2.1	O	CTS
2	P0.1	I	RTS
3	P0.4	O	UART TX
4	P1.7	I	UART RX
5	VCC	P	Power Cathode
6	GND	G	Power Negative
7	VO	O	3.3V Output
8	P1.0	O	If send the data this pin will puller-low
9	P1.1	O	If receive the data this pin will puller-low
10	CE	I	Puller-low to turn off Module Power

Size



Reference hole position for PCB mounting (Bottom view)

