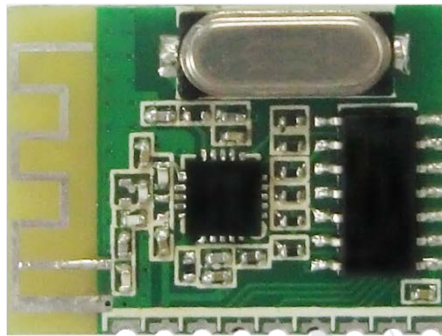

2.4G Low Power Radio Transceiver



Low power consumption and battery operation give the TRW-MCU24L01 the performance demanded for applications where long range and reliability are required. The transceiver uses a transparent data interface to enable users to communicate using their own protocols.

Version History

Version	Date	Changes
V1.00	September 11, 2013	1 st . Edition

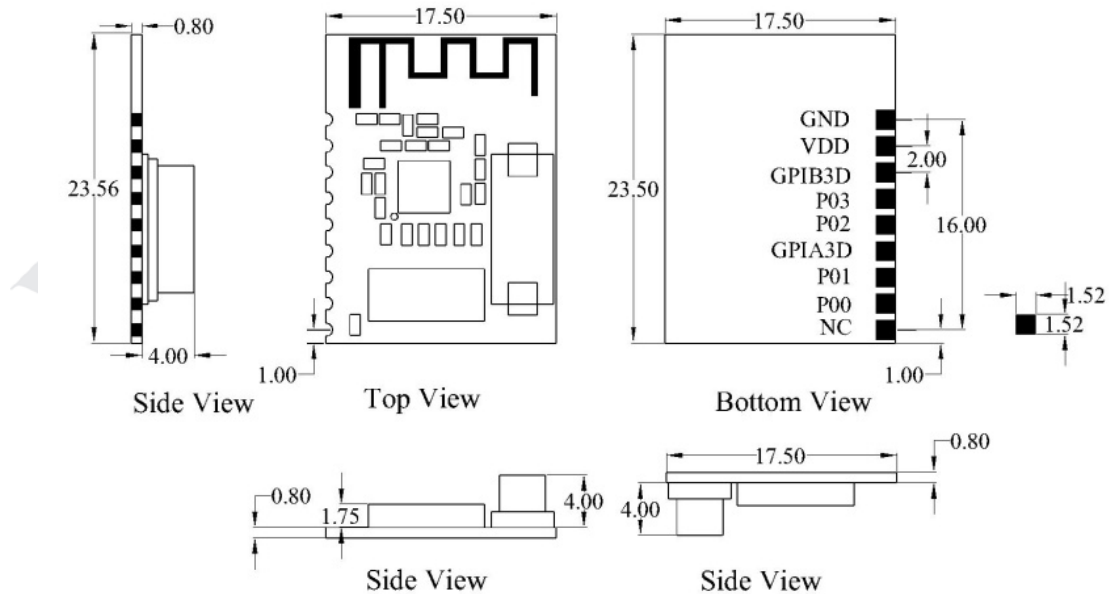
Key Features

- 2.4GHz
- 250kbps, 1Mbps and 2Mbps on air datarates
- Ultra low power operation
- Programmable power: -, -25, -15, -5, 0, 5 dBm
- 900nA in power down
- 26 μ A in standby-I
- RF CHIP Drop-in compatibility with nRF24L0
- Low cost
- 1.9 to 3.6V supply range
- Enhanced ShockBurst™
- Automatic packet handling
- Auto packet transaction handling
- 6 data pipe MultiCeiver™

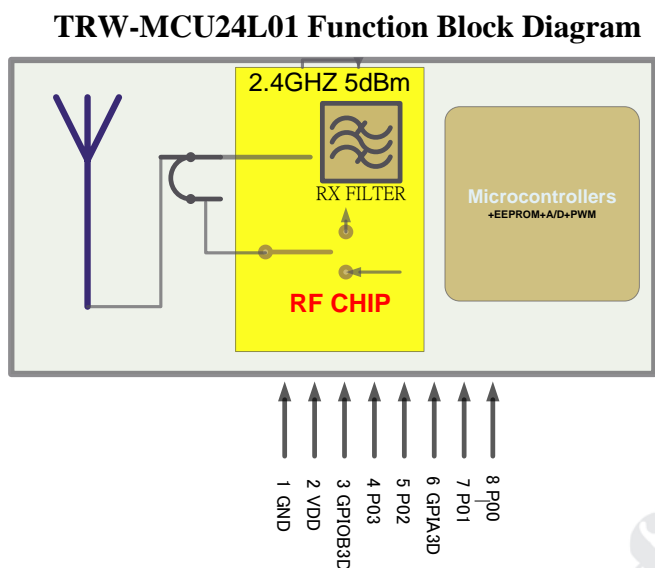
Applications

- Wireless PC Peripherals
- 3-in-1 desktop bundles
- Toys
- Sports watches and sensors
- Home and commercial automation
- Active RFID
- Mouse, keyboards and remotes
- Advanced Media center remote controls
- Game controllers
- RF remote controls for consumer electronics
- Ultra low power sensor networks
- Asset tracking systems

Size View



Block Diagram



Pin Function

Pin	Name	I/O	Description
1	GND	GND	Ground.
2	VCC	Input	+1.8 to +3.6 V Supply Voltage Input to Internal Regulators
3	OPIB3D	GPIO	Available according to customer specified output or input any functional
4	P03	GPIO	Ibid
5	P02	GPIO	Ibid
6	GPIA3D	GPIO	Ibid
7	P01	GPIO	Ibid
8	P00	GPIO	Ibid

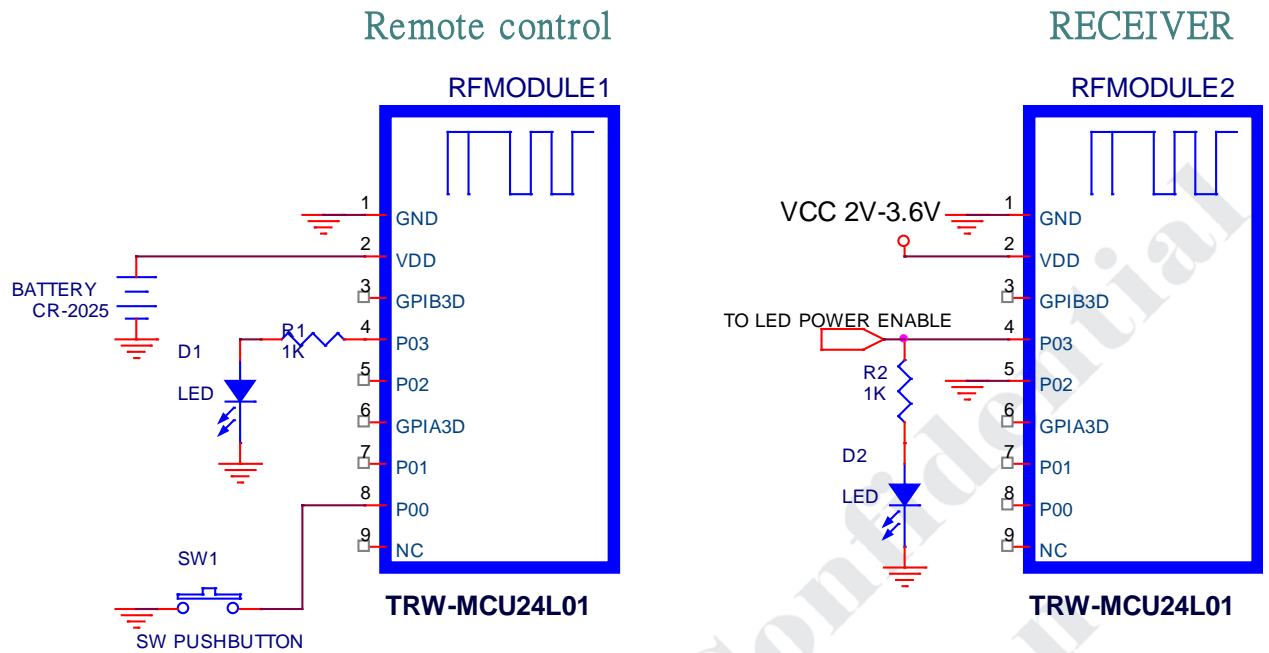
Hardware Specification

Specification

Conditions: VDD =VCC= +3.3V, VSS = 0V, TA =25°C (燈控用時之電流)

Parameter	Description	Min	Type	Max	Unit
VDD	Supply Voltage Range	1.9	3.3	3.6V	V
FREQ	Operating frequency	2400		2484	MHz
IDC_TXMID	Standby		20		uA
IDC_TXMID	TX DC current,		28		mA
IDC_RX	RX DC current consumption		19		mA

Remote Control LED Light DEMO SCH



註：天線走線之上面及下面應避免地板層、電源板層及其他走線。