

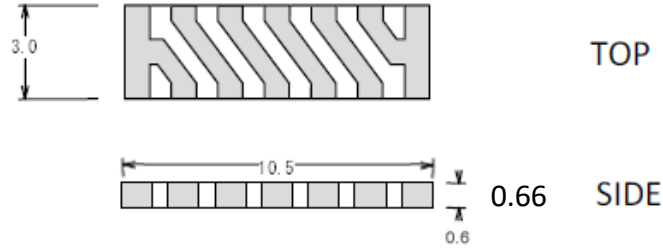
# SMD Ceramic Antenna

915MHz

Model: WS-ANTSMD915

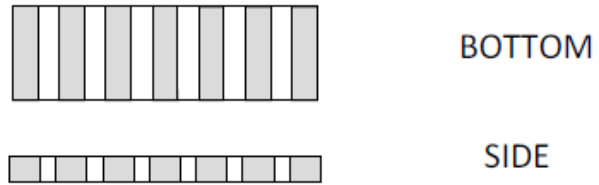
< Feature >

- Frequency : 900~930MHz
- Impedance : 50Ω
- Dimension : 10.5×3.0×0.66mm
- Omni-directional
- High gain



< Applications >

- Telemeter (Industrial & medical use)
- Telecontrol Data communication,
- Keyless entry system, Immobilizer system,
- Voice communication terminal, ZigBee



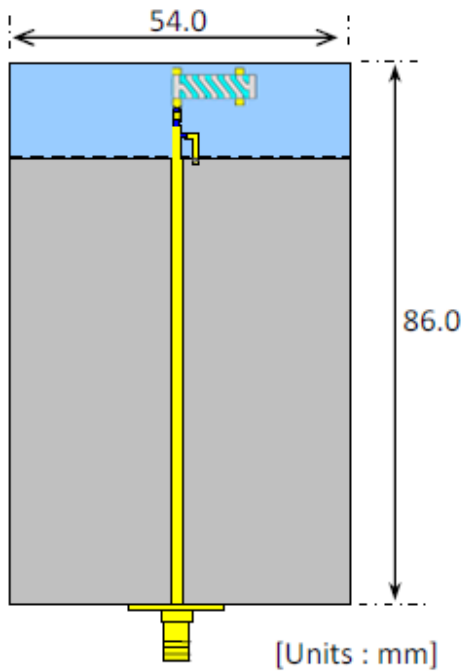
[Units : mm]

< Evaluated board >

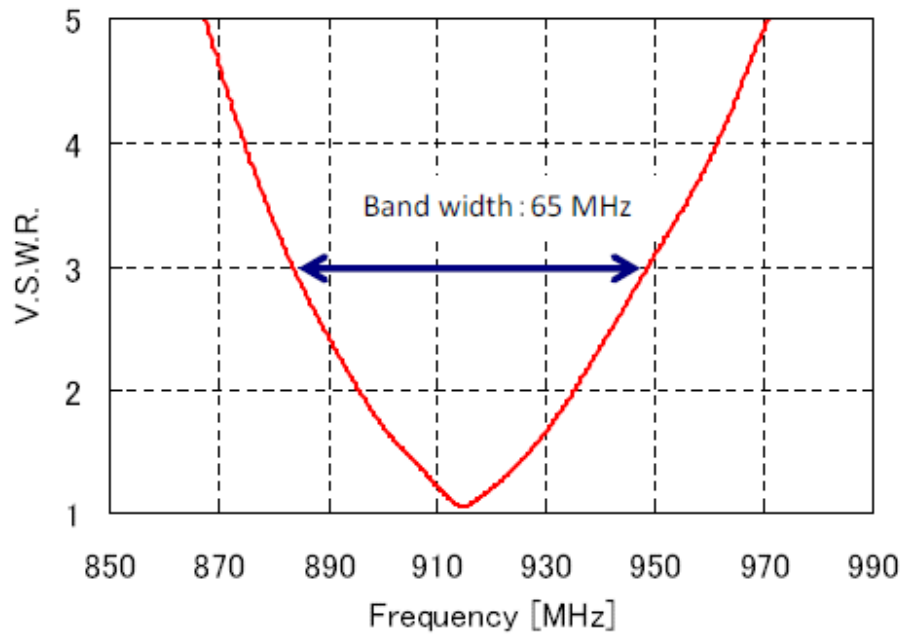
**Evaluated board**  
Thickness: 0.8 mm  
Material: FR-4

fc [MHz]	Inductance [nH]		
	L1	L2	L3
868	4.3	47	8.2
915	3N9	30N	6N8
950	11	33	6.8

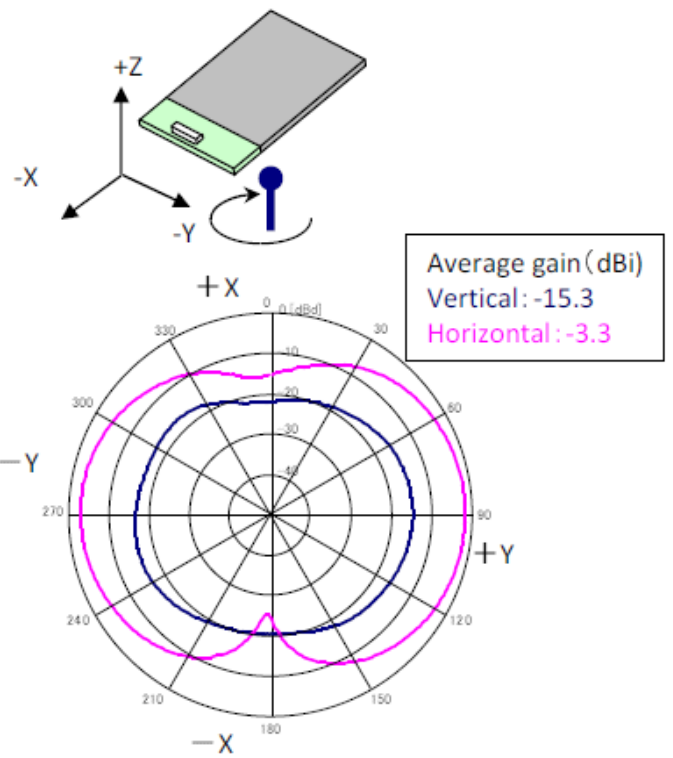
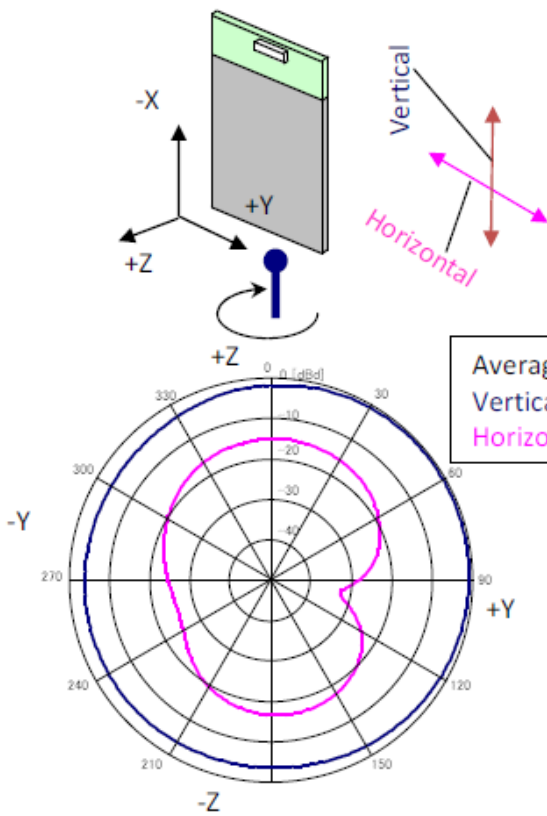
[ Units : mm ]



**Evaluated board**



**V.S.W.R.**



**Radiation pattern: fc=915MHz**