

SMD 陶瓷天線

2.4GHz

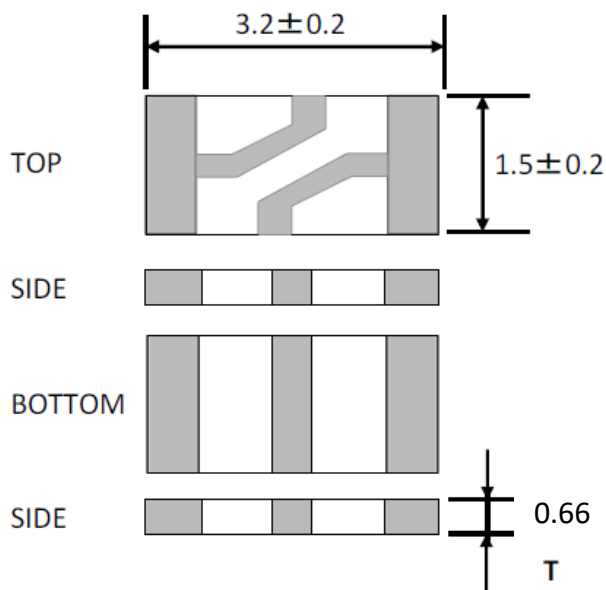
Model : WS-ANTSMD2G4

Feature

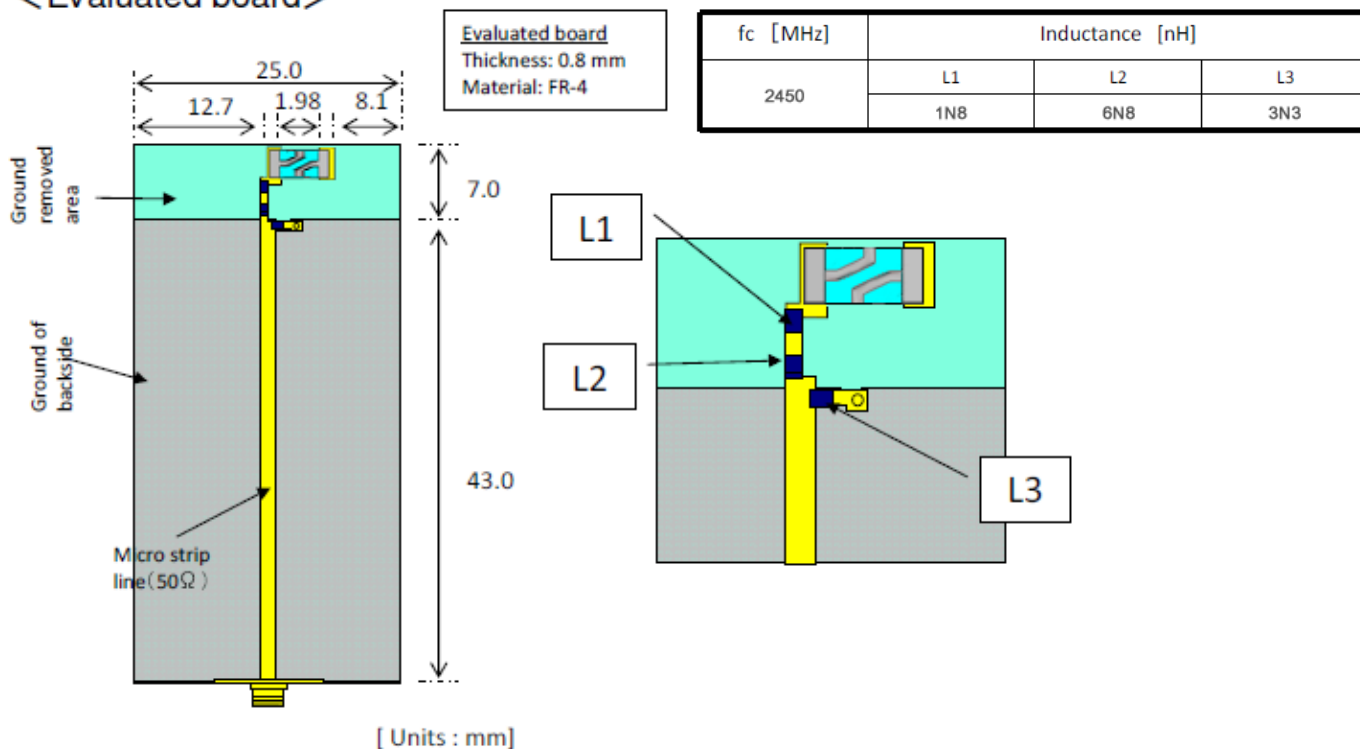
- Frequency : 2400~2500MHz
- Impedance : 50Ω
- Dimension : 3.23x1.5x0.66mm
- Omni-directional
- High gain

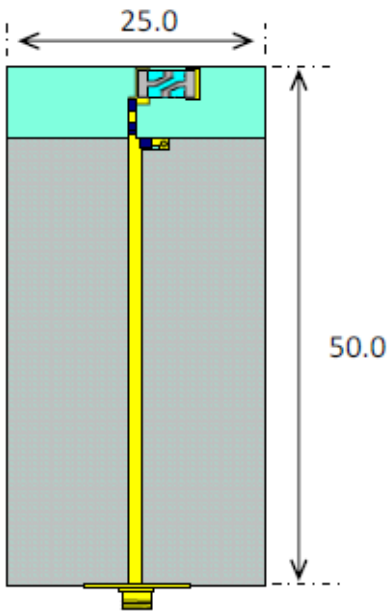
Applications

- Bluetooth device, IEEE802.11b/g device, ZigBee device



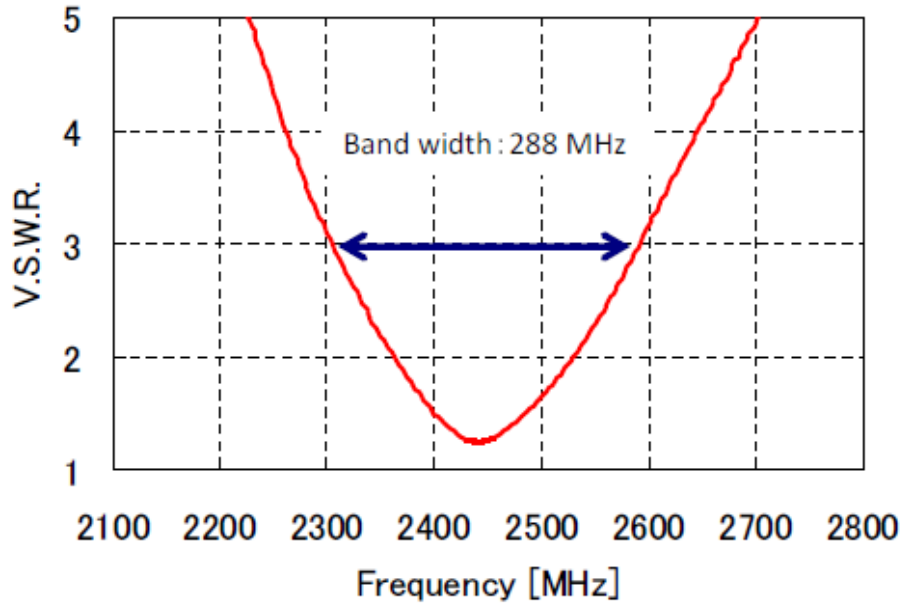
< Evaluated board >



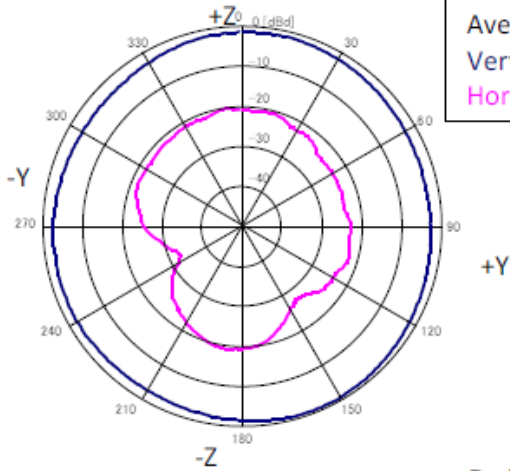
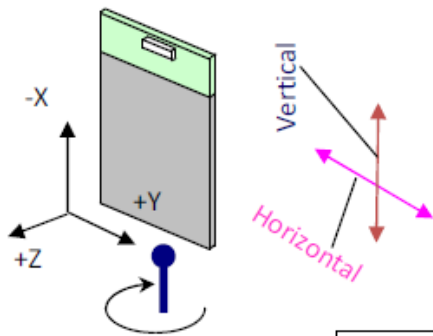


[Units : mm]

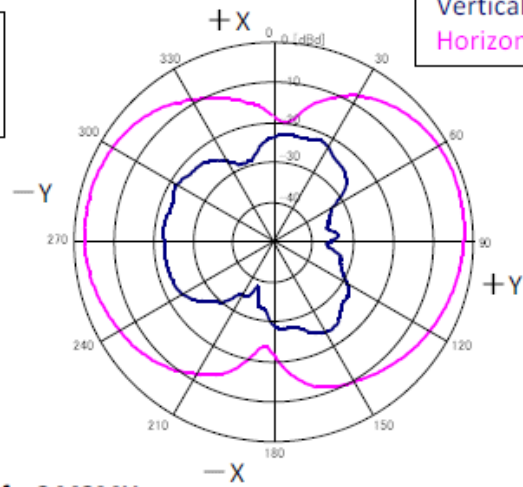
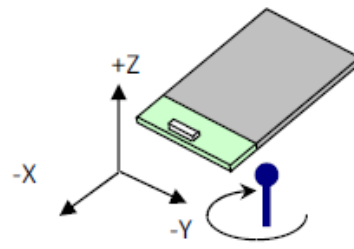
Evaluated board



V.S.W.R.



Average gain (dBi)
Vertical: 0.1
Horizontal: -20.4



Average gain (dBi)
Vertical: -23.3
Horizontal: -3.4

Radiation pattern $f_c=2442\text{MHz}$