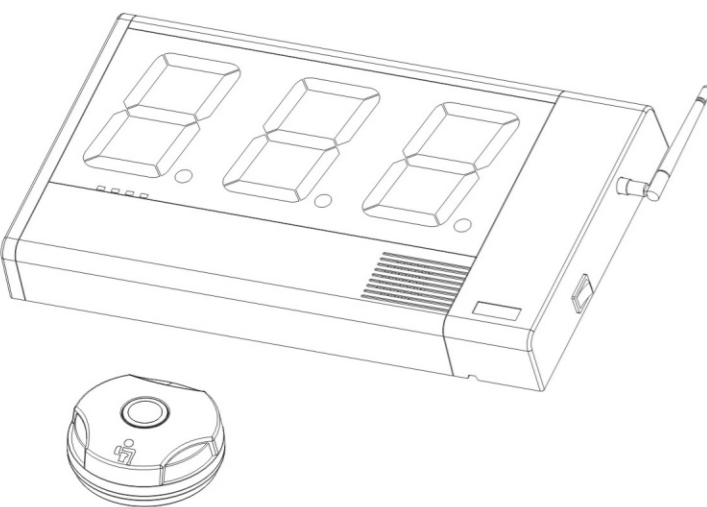


Wireless Caller Service System User's Manual



Legislative Information

It is provided under "Low Power Administration Regulations" of Ministry of Transportation and Communication that:
 Clause 14: Type Certified Low Power Radio Frequency Device shall not have frequency changed, boost power or changing the original functions and features by individual or entity without prior approval. Clause 17: The use of low power radio frequency device shall not affect aviation safety and legitimate communication; when interference is identify, the use shall be interrupted and shall be modified till the interference is eliminated before resuming the use.
 The legitimate communication as referred above is the wireless telecommunication operated under Telecommunication Regulations. Low power radio frequency device shall accept the interference from electric wave radiating equipment used in industry, science and medical purpose.

Users are advised not to make changes or modify the device in any way. Changes or modifications not expressly approved by our company will void the warranty.

FCC Notices

This device complies with part 15 of the FCC rules. Operation is subject to the following two conditions:

- (1) This device may not cause harmful interference, and
- (2) This device must accept any interference received, including interference that may Cause undesired operation.

FCC RF Exposure requirements:

This device and its antenna(s) must not be co-located or operation in conjunction with any other antenna or transmitter.

NOTE: THE MANUFACTURER IS NOT RESPONSIBLE FOR ANY RADIO OR TV INTERFERENCE CAUSED BY UNAUTHORIZED MODIFICATIONS TO THIS EQUIPMENT. SUCH MODIFICATIONS COULD VOID THE USER SAUTHORITY TO OPERATE THE EQUIPMENT.

無線呼叫服務系統使用手冊

法規資訊

根據交通部 低功率管理辦法 規定：

第十四條 經型式認證合格之低功率射頻電機，非經許可，公司、商號或使用者均不得擅自變更頻率、加大功率或變更原設計之特性及功能。

第十七條 低功率射頻電機之使用不得影響飛航安全及干擾合法通信；經發現有干擾現象時，應立即停用，並改善至無干擾時方得繼續使用。

前項合法通信，指依電信規定作業之無線電通信。低功率射頻電機須忍受合法通信或工業、科學及醫療用電波輻射性電機設備之干擾。

Users are advised not to make changes or modify the device in any way. Changes or modifications not expressly approved by our company will void the warranty.

FCC Notices

This device complies with part 15 of the FCC rules. Operation is subject to the following two conditions:

- (1) This device may not cause harmful interference, and
- (2) This device must accept any interference received, including interference that may Cause undesired operation.

FCC RF Exposure requirements:

This device and its antenna(s) must not be co-located or operation in conjunction with any other antenna or transmitter.

NOTE: THE MANUFACTURER IS NOT RESPONSIBLE FOR ANY RADIO OR TV INTERFERENCE CAUSED BY UNAUTHORIZED MODIFICATIONS TO THIS EQUIPMENT. SUCH MODIFICATIONS COULD VOID THE USER SAUTHORITY TO OPERATE THE EQUIPMENT.

无线呼叫服务系统使用手册

法规资讯

根据交通部 低功率管理办法 规定：

第十四条 经型式认证合格之低功率射频电机，非经许可，公司、商号或使用者均不得擅自变更频率、加大功率或变更原设计之特性及功能。

第十七条 低功率射频电机之使用不得影响飞航安全及干扰合法通信；经发现有干扰现象时，应立即停用，并改善至无干扰时方得继续使用。

前项合法通信，指依电信规定作业之无线电信。低功率射频电机须忍受合法通信或工业、科学及医疗用电波辐射性电机设备之干扰。

Users are advised not to make changes or modify the device in any way. Changes or modifications not expressly approved by our company will void the warranty.

FCC Notices

This device complies with part 15 of the FCC rules. Operation is subject to the following two conditions:

- (1) This device may not cause harmful interference, and
- (2) This device must accept any interference received, including interference that may Cause undesired operation.

FCC RF Exposure requirements:

This device and its antenna(s) must not be co-located or operation in conjunction with any other antenna or transmitter.

NOTE: THE MANUFACTURER IS NOT RESPONSIBLE FOR ANY RADIO OR TV INTERFERENCE CAUSED BY UNAUTHORIZED MODIFICATIONS TO THIS EQUIPMENT. SUCH MODIFICATIONS COULD VOID THE USER SAUTHORITY TO OPERATE THE EQUIPMENT.

15.105 Federal Communications Commission (FCC) Requirements, Part 15

This equipment has been tested and found to comply with the limits for a class B digital device, pursuant to part 15 of the FCC Rules. These limits are designed to provide reasonable protection against harmful interference in a residential installation.

This equipment generates, uses and can radiate radio frequency energy and, if not installed and used in accordance with the instructions, may cause harmful interference to radio communications. However, there is no guarantee that interference will not occur in a particular installation. If this equipment does cause harmful interference to radio or television reception, which can be determined by turning the equipment off and on, the user is encouraged to try to correct the interference by one or more of the following measures:

- Reorient or relocate the receiving antenna.
- Increase the separation between the equipment and receiver.
- Connect the equipment into an outlet on a circuit different from that to which the receiver is connected.
- Consult the dealer or an experienced radio/TV technician for help.

無線呼叫服務系統使用手冊

15.105 Federal Communications Commission (FCC) Requirements, Part 15

This equipment has been tested and found to comply with the limits for a class B digital device, pursuant to part 15 of the FCC Rules. These limits are designed to provide reasonable protection against harmful interference in a residential installation.

This equipment generates, uses and can radiate radio frequency energy and, if not installed and used in accordance with the instructions, may cause harmful interference to radio communications. However, there is no guarantee that interference will not occur in a particular installation. If this equipment does cause harmful interference to radio or television reception, which can be determined by turning the equipment off and on, the user is encouraged to try to correct the interference by one or more of the following measures:

- Reorient or relocate the receiving antenna.
- Increase the separation between the equipment and receiver.
- Connect the equipment into an outlet on a circuit different from that to which the receiver is connected.
- Consult the dealer or an experienced radio/TV technician for help.

无线呼叫服务系统使用手册

15.105 Federal Communications Commission (FCC) Requirements, Part 15

This equipment has been tested and found to comply with the limits for a class B digital device, pursuant to part 15 of the FCC Rules. These limits are designed to provide reasonable protection against harmful interference in a residential installation.

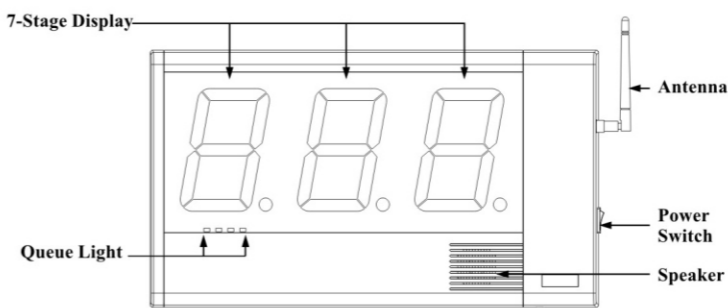
This equipment generates, uses and can radiate radio frequency energy and, if not installed and used in accordance with the instructions, may cause harmful interference to radio communications. However, there is no guarantee that interference will not occur in a particular installation. If this equipment does cause harmful interference to radio or television reception, which can be determined by turning the equipment off and on, the user is encouraged to try to correct the interference by one or more of the following measures:

- Reorient or relocate the receiving antenna.
- Increase the separation between the equipment and receiver.
- Connect the equipment into an outlet on a circuit different from that to which the receiver is connected.
- Consult the dealer or an experienced radio/TV technician for help.

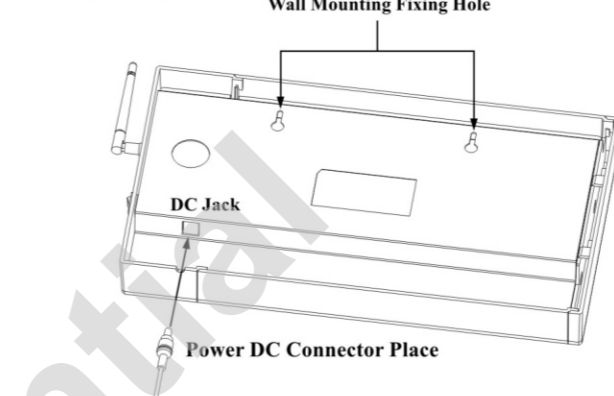
1. Appearance & Functions

(1) Receiving Device

Front Side:



Rear Side:

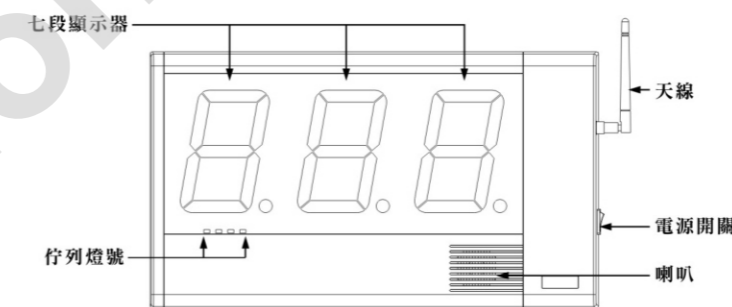


無線呼叫服務系統使用手冊

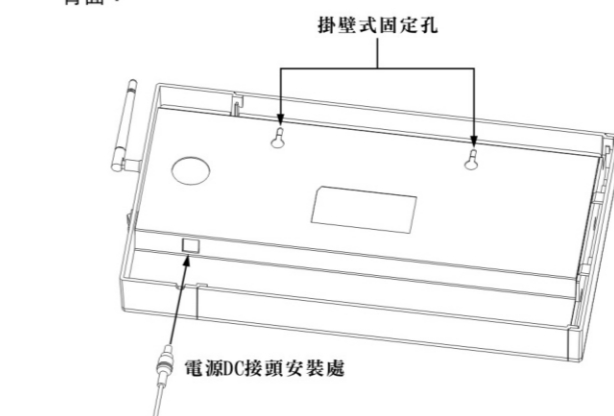
1. 外觀及功能說明

(1) 接收機裝置

正面：



背面：

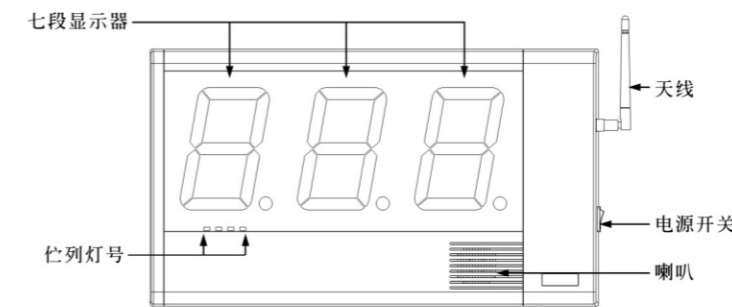


无线呼叫服务系统使用手册

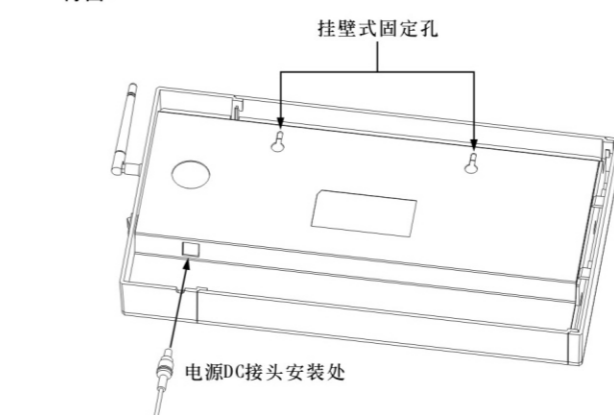
1.外观及功能说明

(1) 接收机装置

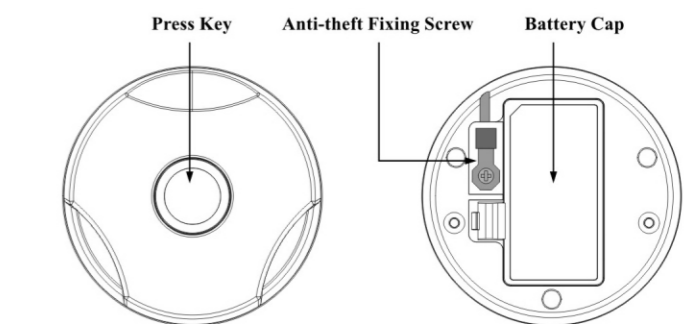
正面：



背面：



(2) Transmitter & Canceller



Press Key: Containing indicator display key; when it is pressed, it transmits the request for service and press again in 5 seconds, it is request for cancellation

Battery case: Use Size: AAA Alkali Battery x 2 pieces
 Anti-theft Line: Fixed onto desk when required

2. Preparations

This system may be used only after completing pairing of Transmitter and Receiver. The Receiver will respond only to ID of the paired transmitter, so it is possible to set up many sets of pairing without mutual interference. The range of ID setting of transmitter is between 000 and 998. (When ID is set as 999, it becomes Canceller, which is used to clear up the service needs of Transmitter.

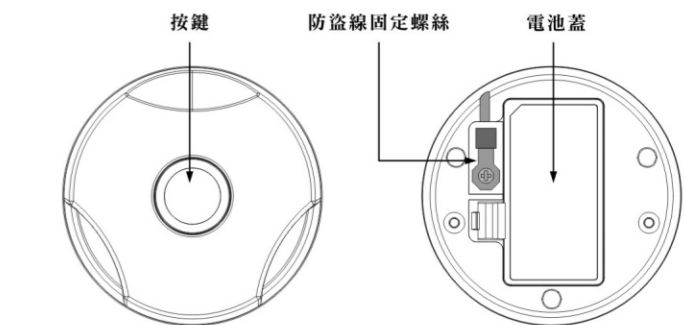
Before performing the following, please ensure that all the transmitters have been properly installed with batteries and the receiver is powered on.

Pairing Procedure

- (1) When receiver is switched on, it will perform self-test and the displaying LED light will light up in sequence and will ring bell and end at Standby Mode (The left-most queue light will flash).
- (2) The transmitter shall operate the setting within 5 meters from the receiver to be paired. If the distance is more than 5 meters, or when there is noise interference, it may not be able to enter Setting Mode

無線呼叫服務系統使用手冊

(2) 發射機及取消機



按鍵：內含燈號顯示的按鍵，當按下時發射服務請求，五秒後再次按下時則為取消
 電池盒：使用4號鹼性電池x 2
 防盜線：視需要可固定於桌面

2. 準備工作

本系統必須完成接收機和發射機的配對後方能使用。接收機只會對已完成配對的發射機ID有所回應，因此在同一個區域內可設置多個群組而不會互相干擾；發射機的ID設定範圍可由000-998。(ID若設為999則為取消機，用來清除發射機的服務需求)

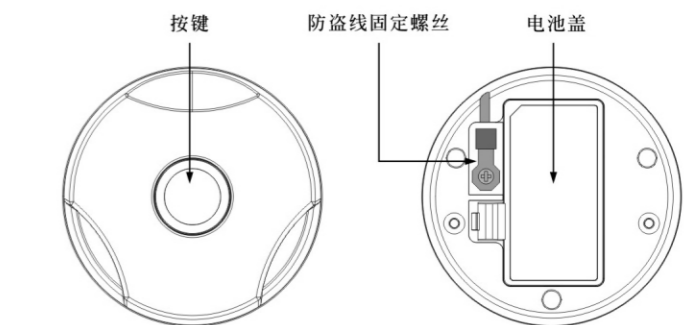
進行下列工作時，請確認所有的發射機都已正確裝上電池，同時接收機已正確的工作

配對步驟

- (1) 接收機開機後會進行一段自我測試，此時顯示幕上的LED燈將依序亮起並響起鈴聲，最後進入待機模式（最左側的佇列燈號將會閃爍）。

无线呼叫服务系统使用手册

(2) 发射机及取消机



按鍵：內含灯号显示的按键，当按下时发射服务请求，五秒後再次按下时則為取消
 電池盒：使用4号碱性電池x 2
 防盜線：視需要可固定於桌面

2.准备工作

本系統必須完成接收机和发射机的配對後方能使用。接收机只会对已完成配对的发射机ID有所回应，因此在同一個區域內可設置多個群組而不會互相干擾；发射机的ID設定範圍可由000-998。(ID若設為999則為取消机，用來清除发射机的服務需求)

進行下列工作時，請確認所有的发射机都已正確裝上電池，同時接收机已正確的工作

配對步驟

- (1) 接收机开机後會進行一段自我測試，此時顯示幕上的LED灯將依序亮起並響起鈴聲，最後進入待機模式（最左側的佇列灯号將會閃爍）。

