

SMD Ceramic Antenna

2.4GHz

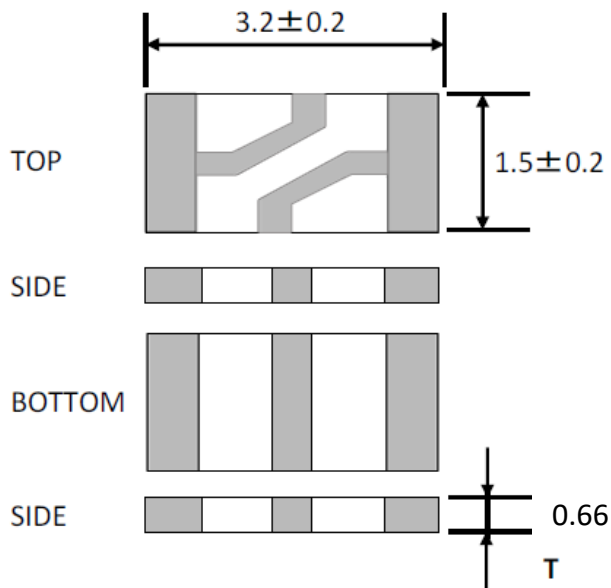
Model : WS-ANTSM2G4

Feature

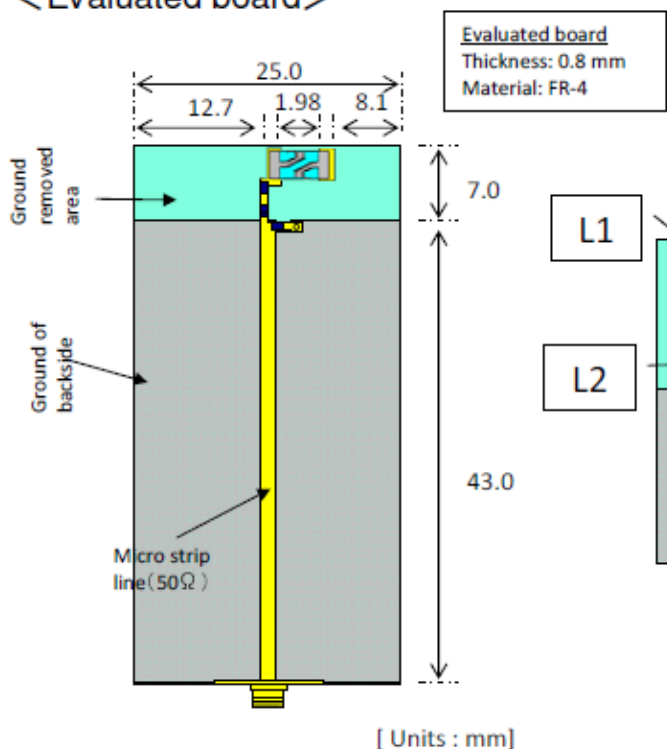
- Frequency : 2400~2500MHz
- Impedance : 50Ω
- Dimension : 3.23x1.5x0.66mm
- Omni-directional
- High gain

Applications

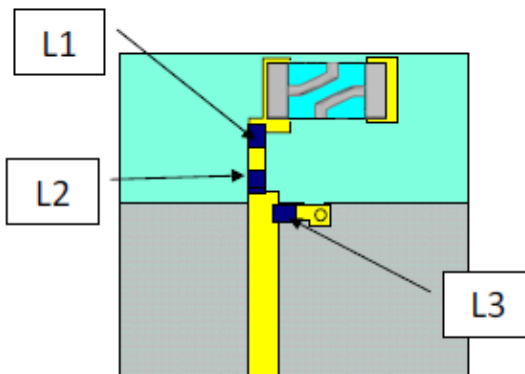
- Bluetooth device, IEEE802.11b/g device, ZigBee device

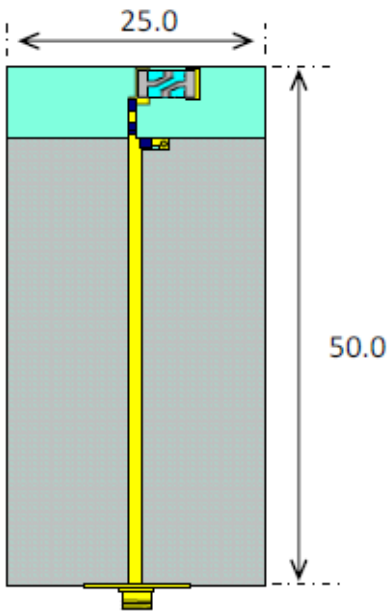


< Evaluated board >



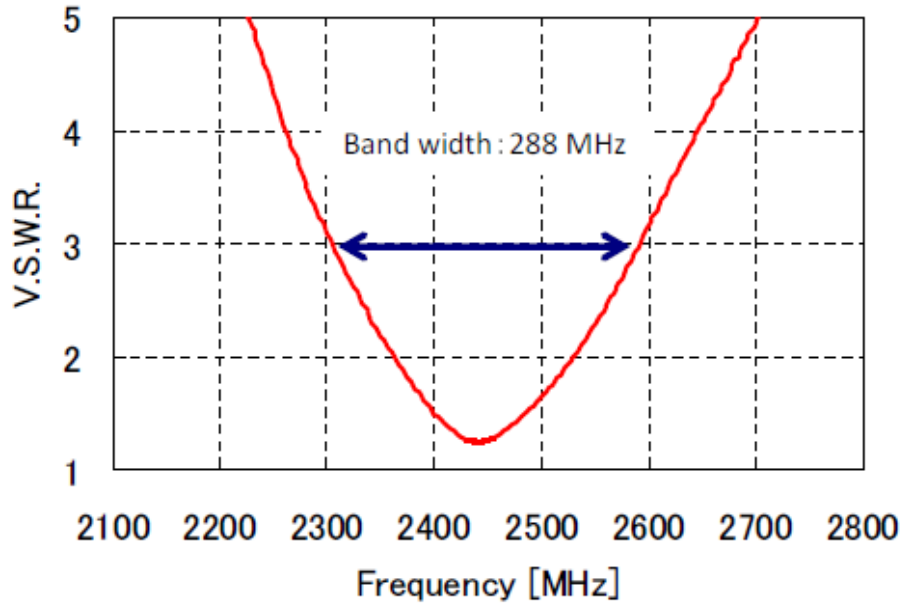
fc [MHz]	Inductance [nH]		
	L1	L2	L3
2450	1N8	6N8	3N3



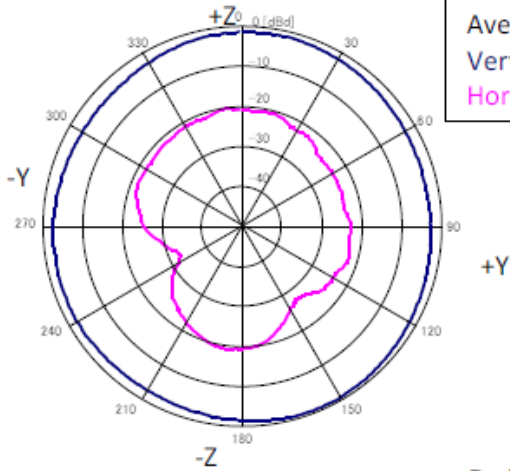
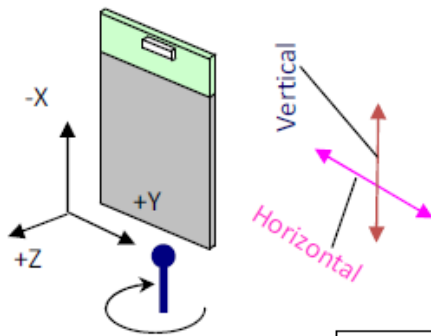


[Units : mm]

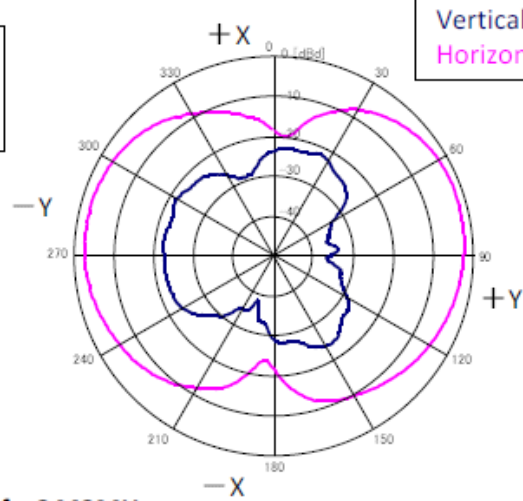
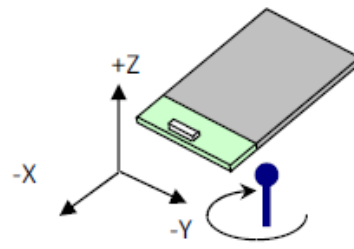
Evaluated board



V.S.W.R.



Average gain (dBi)
Vertical : 0.1
Horizontal : -20.4



Average gain (dBi)
Vertical : -23.3
Horizontal : -3.4

Radiation pattern $f_c=2442\text{MHz}$