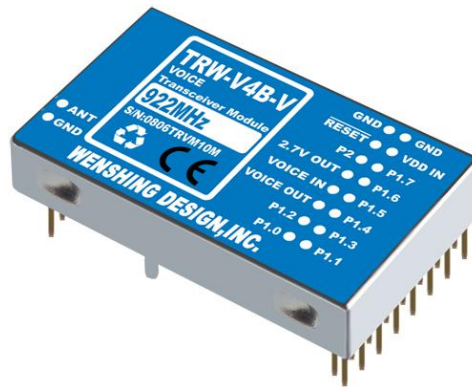

Wireless Voice Transceiver RF Module (ISM Band System)



Version History

Version	Date	Changes
V1.01	Dec.15, 2006	1 st . Edition
V1.02	Aug.20,2007	2 nd . Edition
V1.03	Jan.13,2009	3 rd . Edition

Key Feature

- UHF Wireless Data Transceiver
- RF Output Power up to 10mW
- Sensitivity up to -112dBm
- Low Power Consumption
- Voltage Supply 3.5V to 5.5V
- SPI Micro-Controller Interface
- Transceiver Data Rate: 1.2Kbps~250Kbps

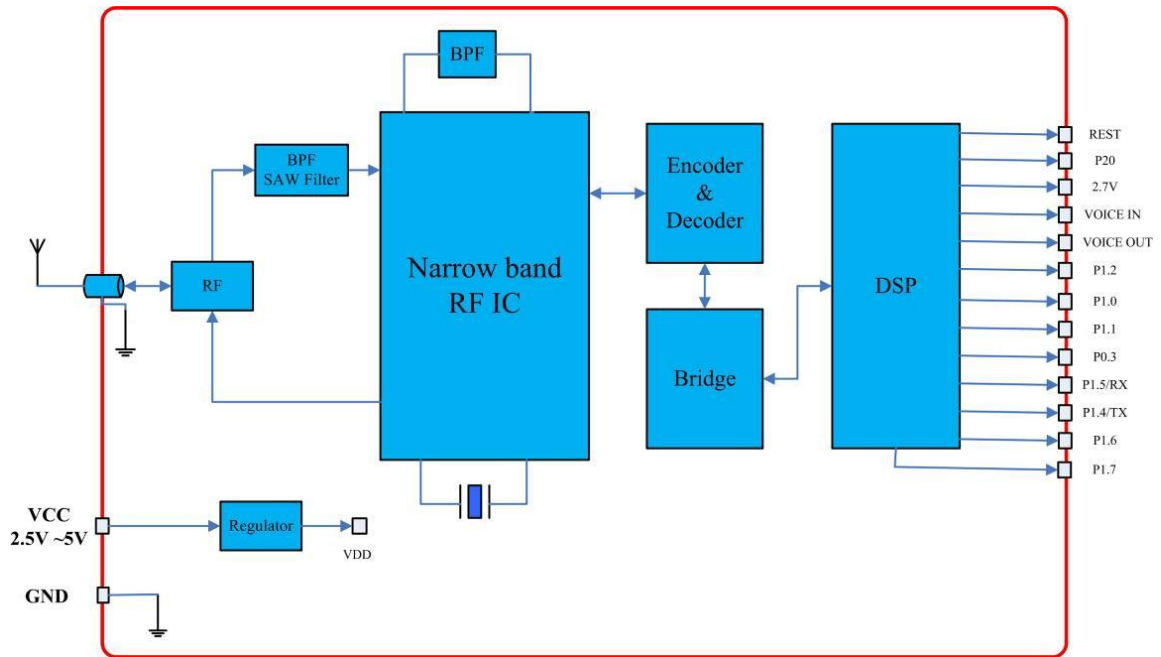
Application

- Wireless Phone
- Wireless Audio
- Wireless Door Bell
- Wireless Microphone

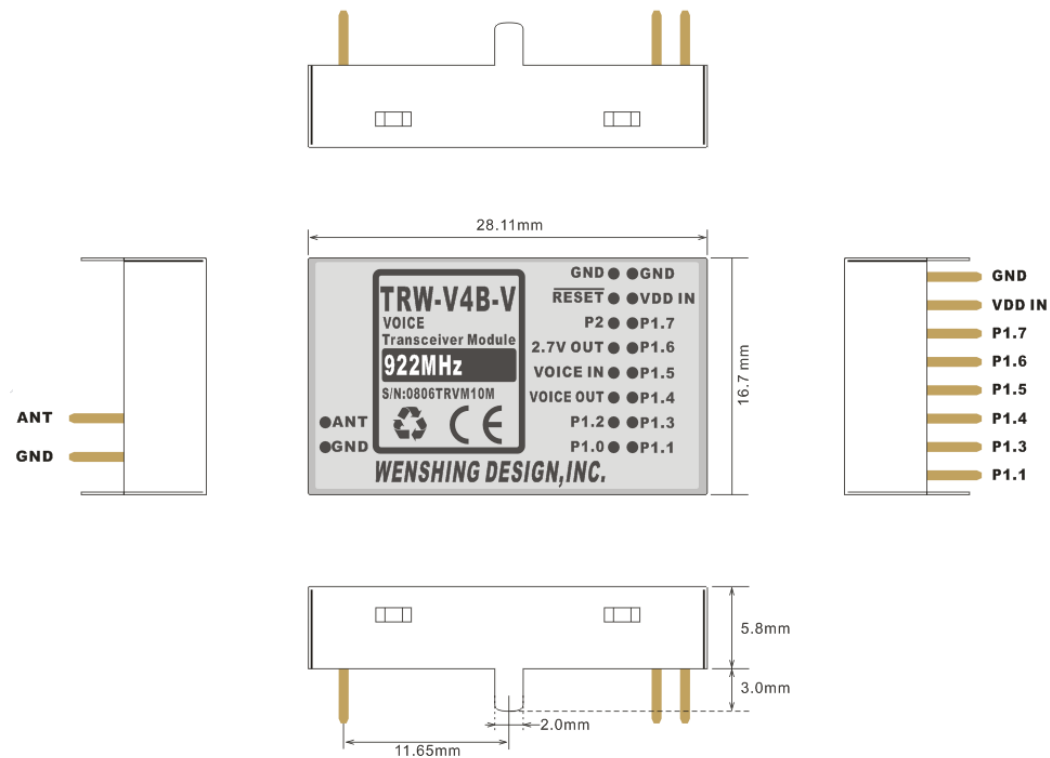
Characteristic

Parameter	Min	Type	Max	Unit	Condition
Operating Condition					
Operating Temperature Range	-10		+70	°C	
Operating Supply Voltage	3.5		5.5	V	
Current Consumption					
Rx Mode			21	mA	
Tx Mode			24	mA	Vcc 5V
Sleep Mode			2	mA	Vcc 5V
RF Characteristic					
Frequency Range		922		MHz	
Data Rate	1.2		250	Kbps	FSK
Tx Output Power	0		10	dBm	
Rx Sensitivity			-112	dBm	
Modulation	FSK		MSK		
Other					
FIFO			64	byte	
ESD			500	V	

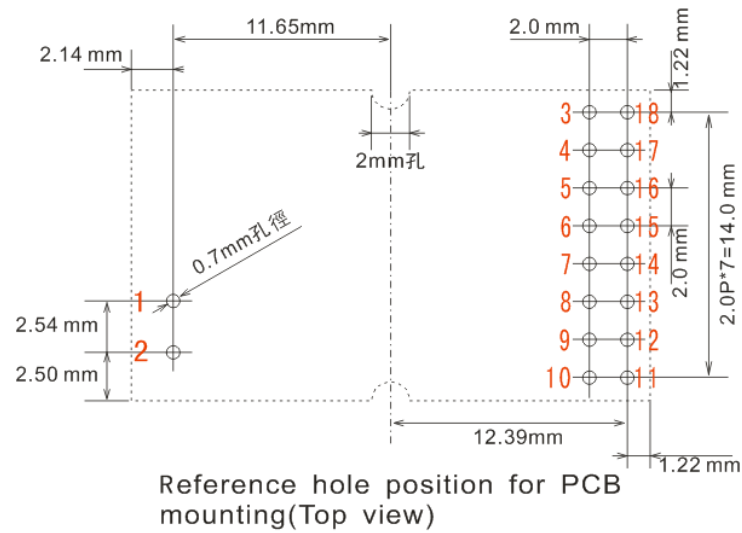
Block Diagram



View



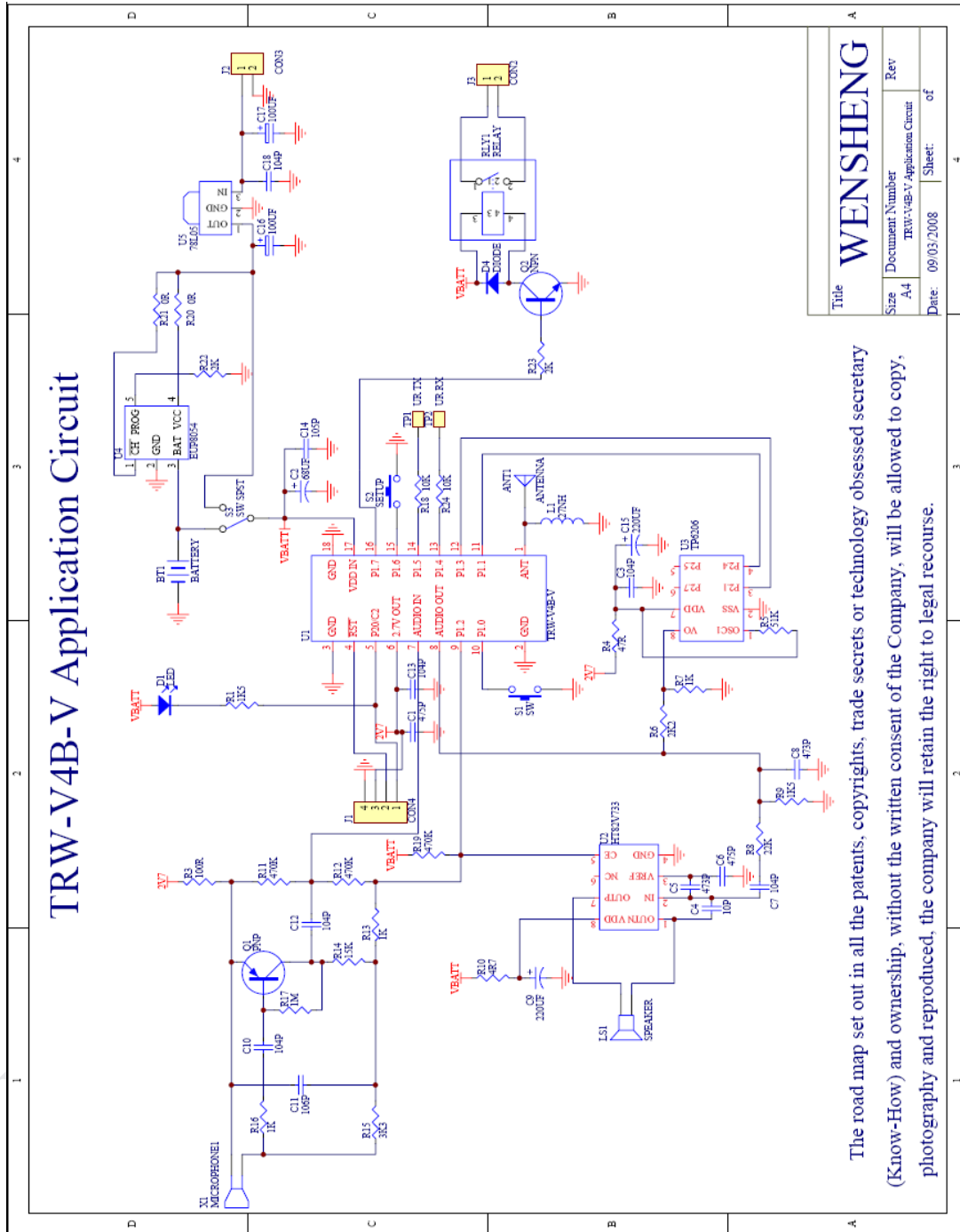
Pin Assignment



3 GND 18 GND
 4 RESET 17 VDD IN
 5 P2 16 P1.7
 6 2.7V OUT 15 P1.6
 7 VOICE IN 14 P1.5
 8 VOICE OUT 13 P1.4
 1 ANT 9 P1.2 12 P1.3
 2 GND 10 P1.0 11 P1.1

Pin	Function	I/O	Description
1	ANT	ANT	Antenna
2	GND	P	Ground
3	GND	P	Ground
4	RESET	O	Lo Trigger
5	P2	O	LED indicates
6	2.7V OUT	P	Power output
7	VOICE IN	I	Audio in
8	VOICE OUT	O	Audio out
9	P1.2	O	Control Pin
10	P1.0	O	Connect Button
11	P1.1	N	
12	P1.3	N	
13	P1.4	I	UART RX
14	P1.5	O	UART TX
15	P1.6	O	Call Button
16	P1.7	O	LED indicates
17	VDD IN	P	Power input
18	GND	P	Ground

Application Circuit

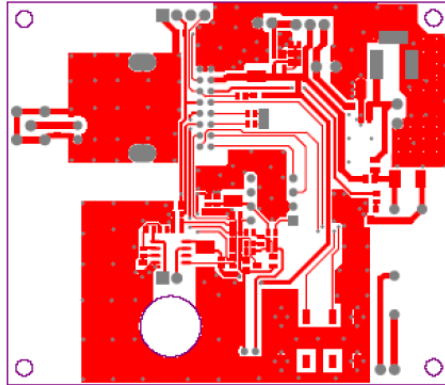


Title
WENSHENG

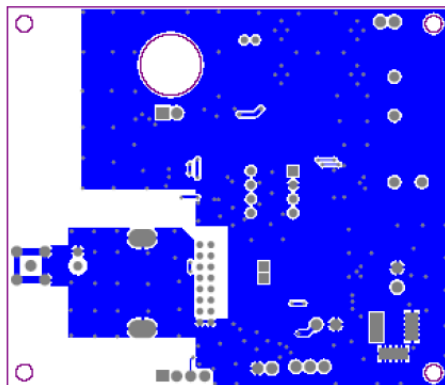
Document Number	Rev
TRW-V4B-V Application Circuit	
A4	
Date: 09/03/2008	Sheet: of

The road map set out in all the patents, copyrights, trade secrets or technology obsessed secretary (Know-How) and ownership, without the written consent of the Company, will be allowed to copy, photography and reproduced, the company will retain the right to legal recourse.

TOP



BOTTOM



Scaling 1:1

Do