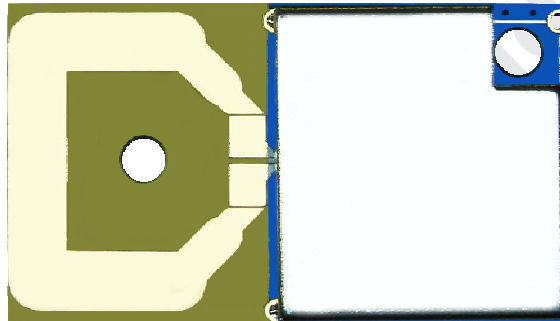

2.4GHz Direct Sequence Spread Spectrum RF Module



Version History

Version	Date	Changes
V1.01	Feb.24, 2009	1 st . Edition

TRW-24DSSS uses Direct Sequence Spread Spectrum(DSSS) and Gaussian Frequency Shift Key(GFSK) technique. Under DSSS mode, maximum data transmission rate is 250kbps.

Under GFSK mode, maximum data rate is 1Mbps, maximum power is +4dBm and 1 μ A low power consumption under Sleep mode. Available working voltage is 3.6V~6V.

It is good for hand-held device on short distance application, such as Wireless Mouse, Wireless Keyboard, Wireless Remote Controller, Home Automatically Control, Wireless Toys and so on.

Key Feature

- 2.4GHz Sequence Spread Spectrum
- RF Output Power up to +4 dBm
- Receive Sensitivity up to -98 dBm
- Voltage Supply from 3.6V to 6V
- Distance range up to 120m(Open Space)
- GFSK Data rate up to 250Kbps
- DSSS Data rate up to 1Mbps
- Auto transaction sequencer no need MCU
- Dynamic data rate reception
- Battery Voltage Monitoring Circuitry

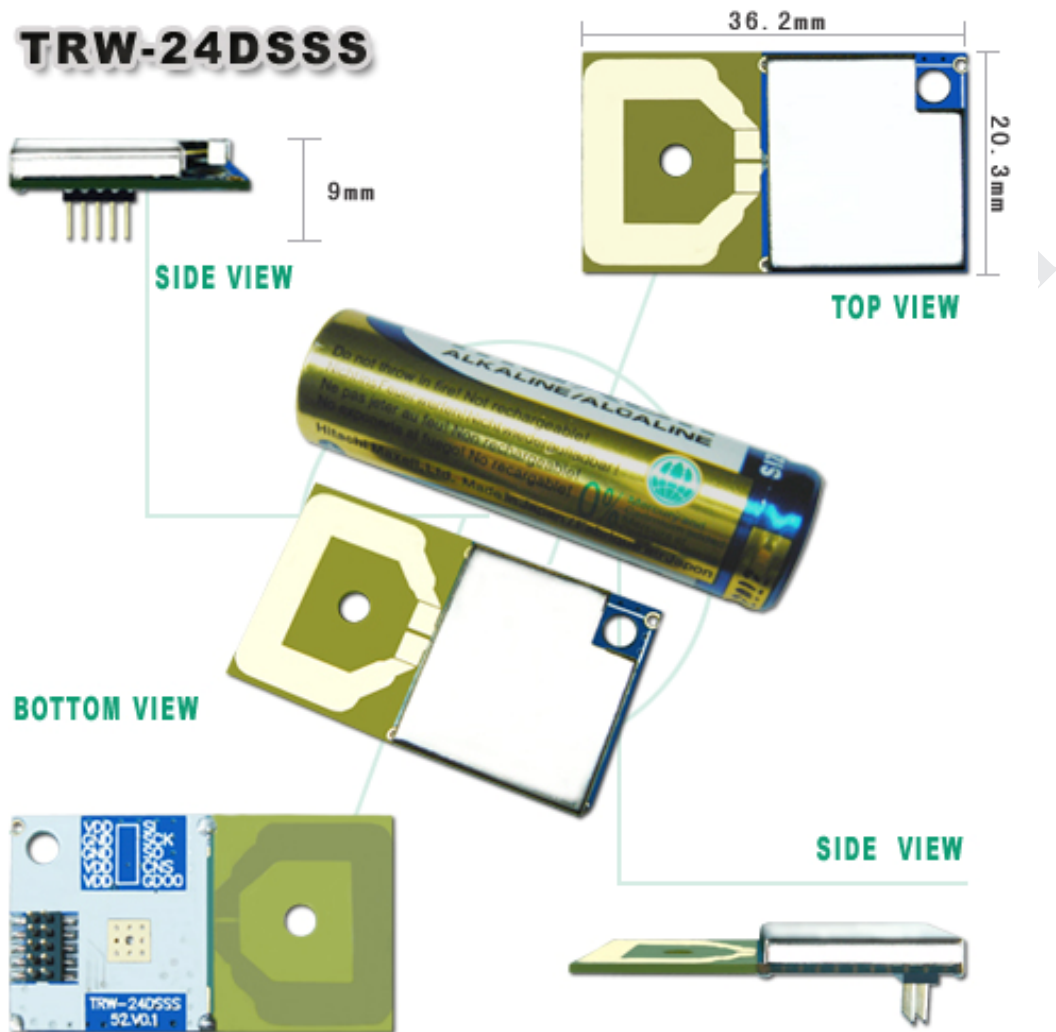
Application

- Wireless Keyboard and Mouse
- Wireless Game Pad
- Remote Control
- Wireless Toys
- VOIP Phone
- Home Automation

Characteristic

Parameter	Min	Type	Max	Unit	Condition
Operating Condition					
Operating Temperature Range	-10		+70	°C	
Storage Temperature Range	-40		+90	°C	
Operating Supply Voltage	3.6		6	V	
Current Consumption					
Rx mode			19	mA	
Tx mode			35	mA	
Sleep mode			1	µA	
RF Characteristic					
Frequency Range	2400		2498	MHz	
Frequency Deviation	270		330	KHz	
Data Rate	15.625		1000	Kbps	
Tx Output Power	-35		+4	dBm	8 Step select
Rx Sensitivity			-98	dBm	
Link Turnaround Time	30		65	µs	
Modulation	DSSS				

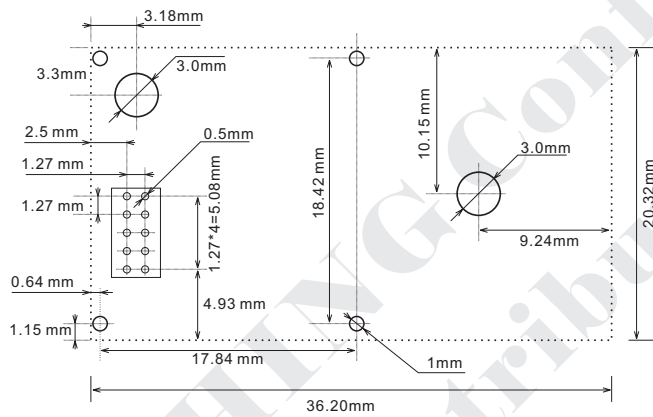
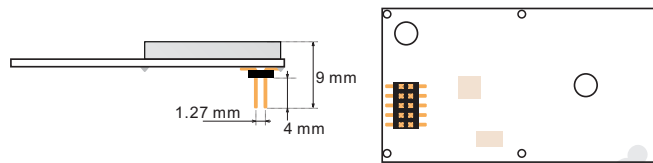
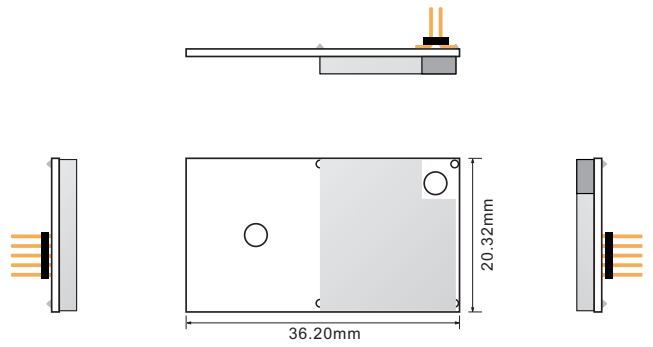
View



Pin Assignment

Pin	Function	I/O	Description
1	P2.1	O	CTS
2	P0.1	I	RTS
3	P0.4	O	UART TX
4	P1.7	I	UART RX
5	VCC	P	Power Cathode
6	GND	G	Power Negative
7	VO	O	3.3V Output
8	P1.0	O	If send the data this pin will puller-low
9	P1.1	O	If receive the data this pin will puller-low
10	CE	I	Puller-low to turn off Module Power

Size



Reference hole position for PCB mounting(Bottom view)

