

WENSHING®

Audio Cable

Coaxial Video & Audio Transmitter



Version History

Version	Date	Changes
V0.00	November. 22, 2011	1 st . Edition

Content

Important Event	3
➤ Declaration	3
➤ Warranty.....	3
➤ Warranty Voiding Condition.....	3
➤ Contact Us.....	3
Key Feature	4
Application	4
Instruction	5

Important Event

- This product is in general use for the equipment on the premise of the development, design, manufacture. Do not use that require high security purposes, such as machinery or medical, aviation equipment, machinery and transport-related deaths are directly or indirectly related to the system.
- This product should be in this brochure by the instructions of the types and rated voltage power under the current proper use. If violation of this statement by the safety records of the supply operation, I am afraid our company cannot afford any of the responsibility.
- Do not self-decomposition, alteration, repair of the products also will cause fire, electric shock, fault, and dangerous. In addition, their decomposition, alteration, repair the product, failure is not within the scope of warranty.
- The products are not waterproof, so please do not use and touch water. Take off and on also please note. Rain, spray, drinks, steam, sweat may be a failure.
- Use of this product, please be sure to use according to the statement recorded by the use of methods to operate. Please do not violate particular attention to the matter reminded to use.
- Please respect this statement recorded by the note. When consumers in contravention of this statement recorded note of the operation, I am afraid our company could not shoulder any responsibility.
- Products are defective, the Company will be responsible for free to amend the flaws, or to the same flawless product or its equivalent products in exchange. However, the Company does not assume based on the requirements of the flaw and loss responsibility.
- The Company reserves the right to retain without notice to users of the cases, the product of hardware / software (version upgrade) is with the right to edit.

Declaration

This product provides different frequency for user selection to meet different telecommunication regulation and FCC/CE on different countries.

Warranty

The warranty time is within one year from purchased date. The warranty scope are used in normal situation and none vandalism. (Some function harmful out of warranty scope and Vandalism are Un-warranty).

Warranty Voiding Condition

- Because the natural disaster, accident or human factor to cause the bad damage.
- Violate the product instruction manual to cause the damage of the products.
- The improper assemble causes damage.
- The products used the unsanctioned accessory to cause damaged.
- Overstep the allowed used environment to cause the products damaged.

Contact Us

WENSHING ELECTRONICS CO., LTD.

No.82, Chong De St. 11054 Shin Yi Dist, Taipei, Taiwan

Tel: +886-2-27353055

Fax: +886-2-27328813

Key Feature

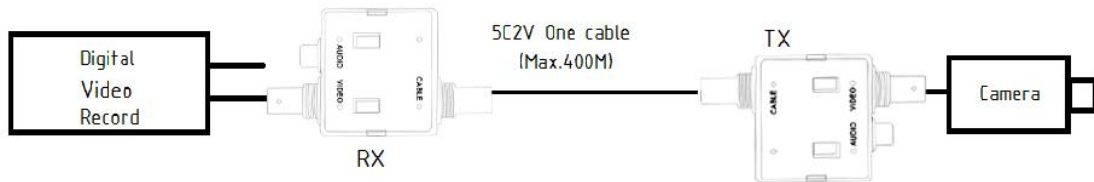
LED Indication

Mode	Blue Light	Red Light	Description
Normal	Constant Light On	Light off	Transmitter
Normal	Light off	Constant Light On	Receiver
Setting	Flashing	Light Off	Transmitter State(TX) during setting pairing mode
Setting	Light Off	Flashing	Receiver State(RX) during setting pairing mode
Error	Flashing	Flashing	Device is wrong

Operation

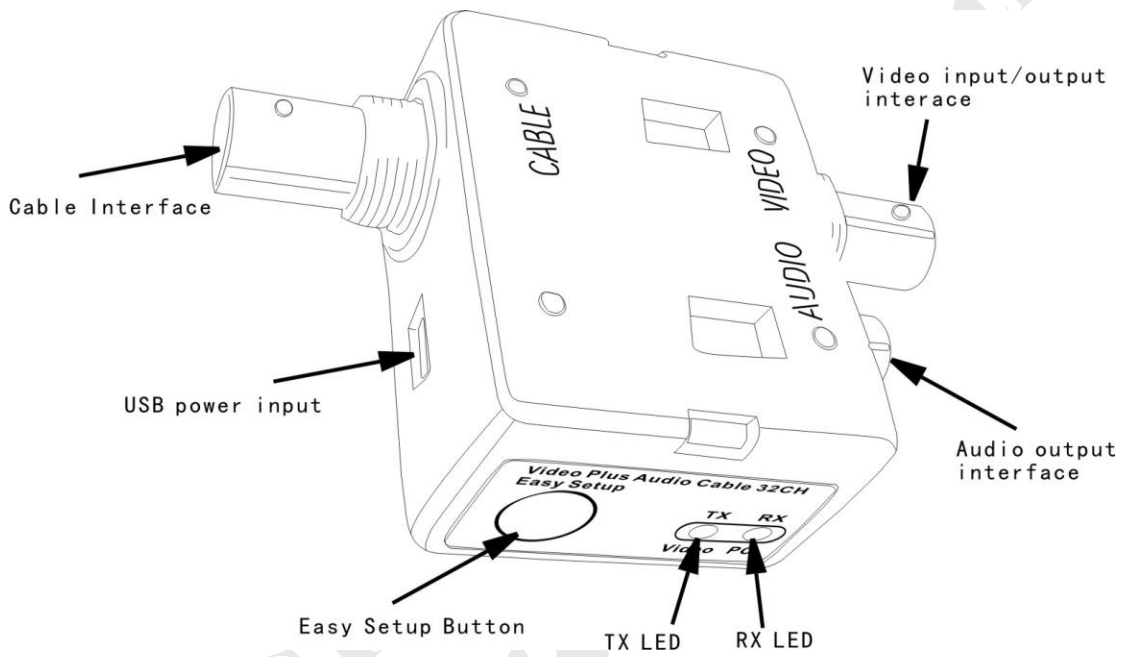
- ◇ During Normal Mode, Constantly Pressed Button 3 seconds to get into Setting Mode
- ◇ During Setting Mode, Constantly Pressed Button 3 seconds to switch Transmitter State(TX) and Receiver State(RX) during setting pairing mode.
- ◇ During Setting Mode, if it couldn't work pairing successfully within 6 minutes, it would exit the setting mode automatically.

Application

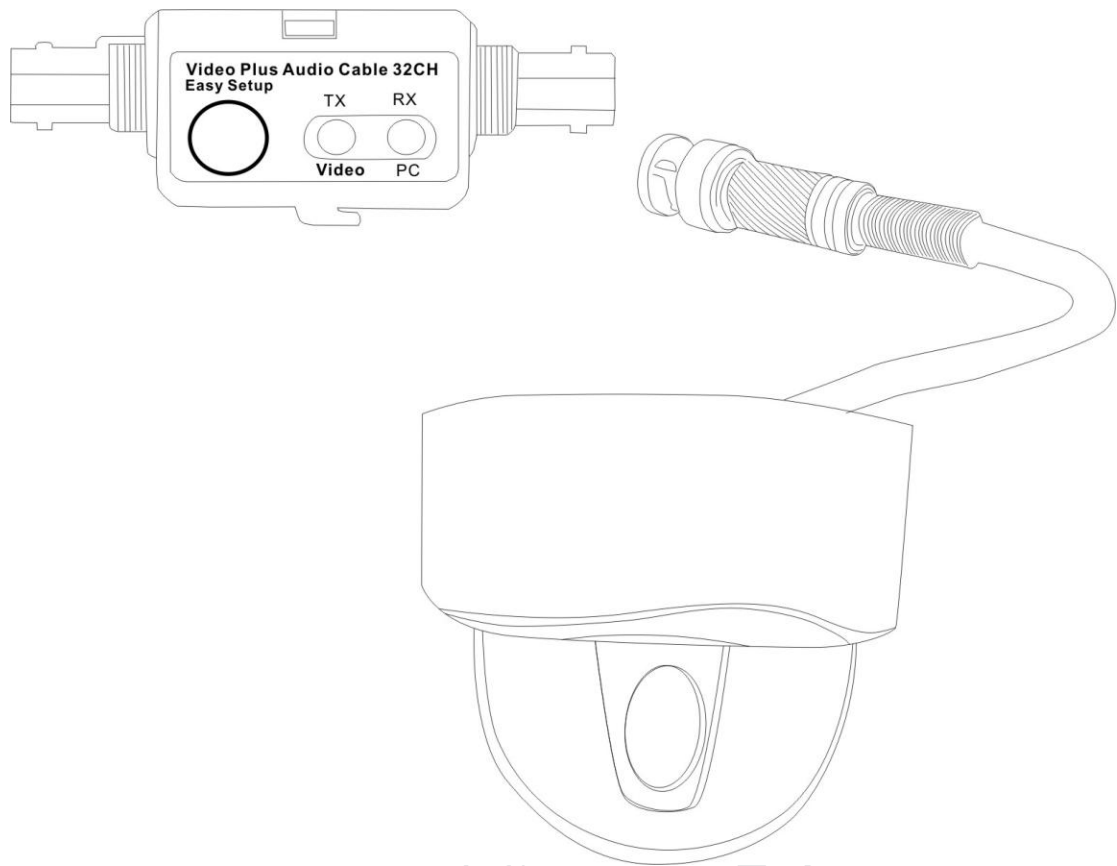


Instruction

Detailed Diagram

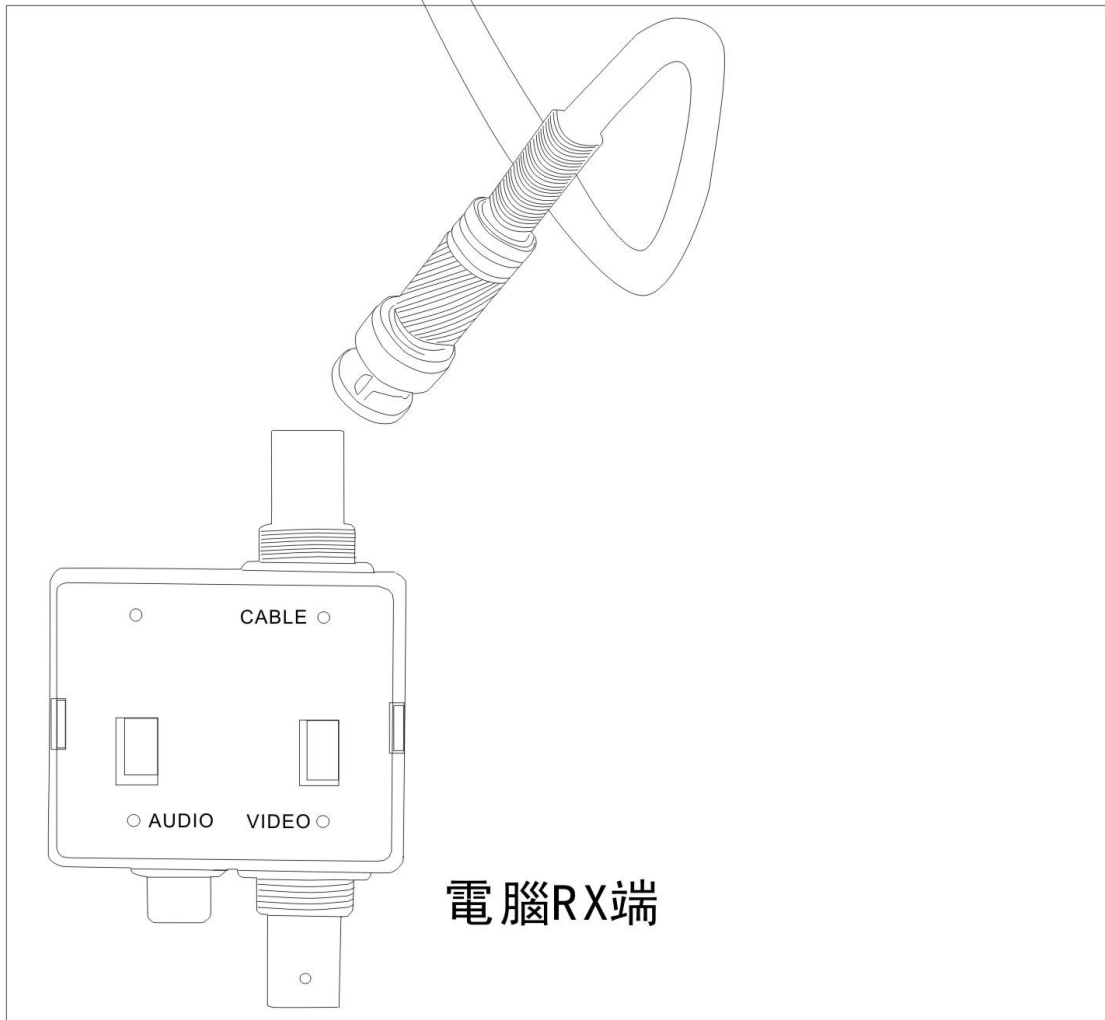
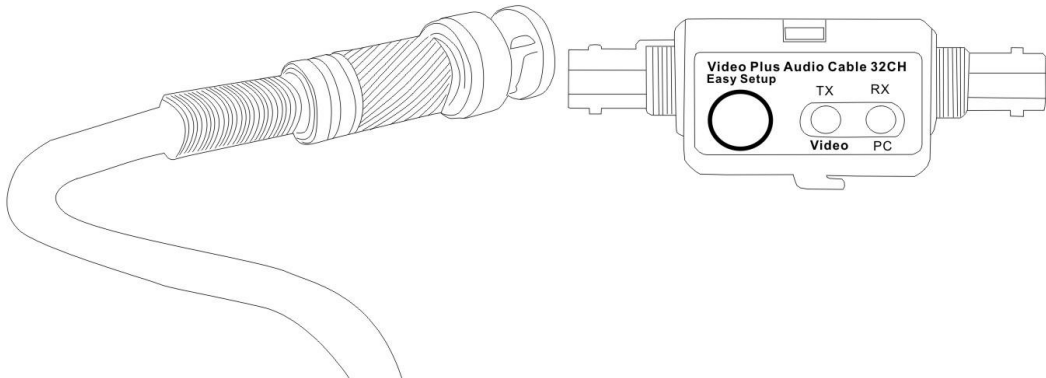


Connect the video camcorder to product's I/O port

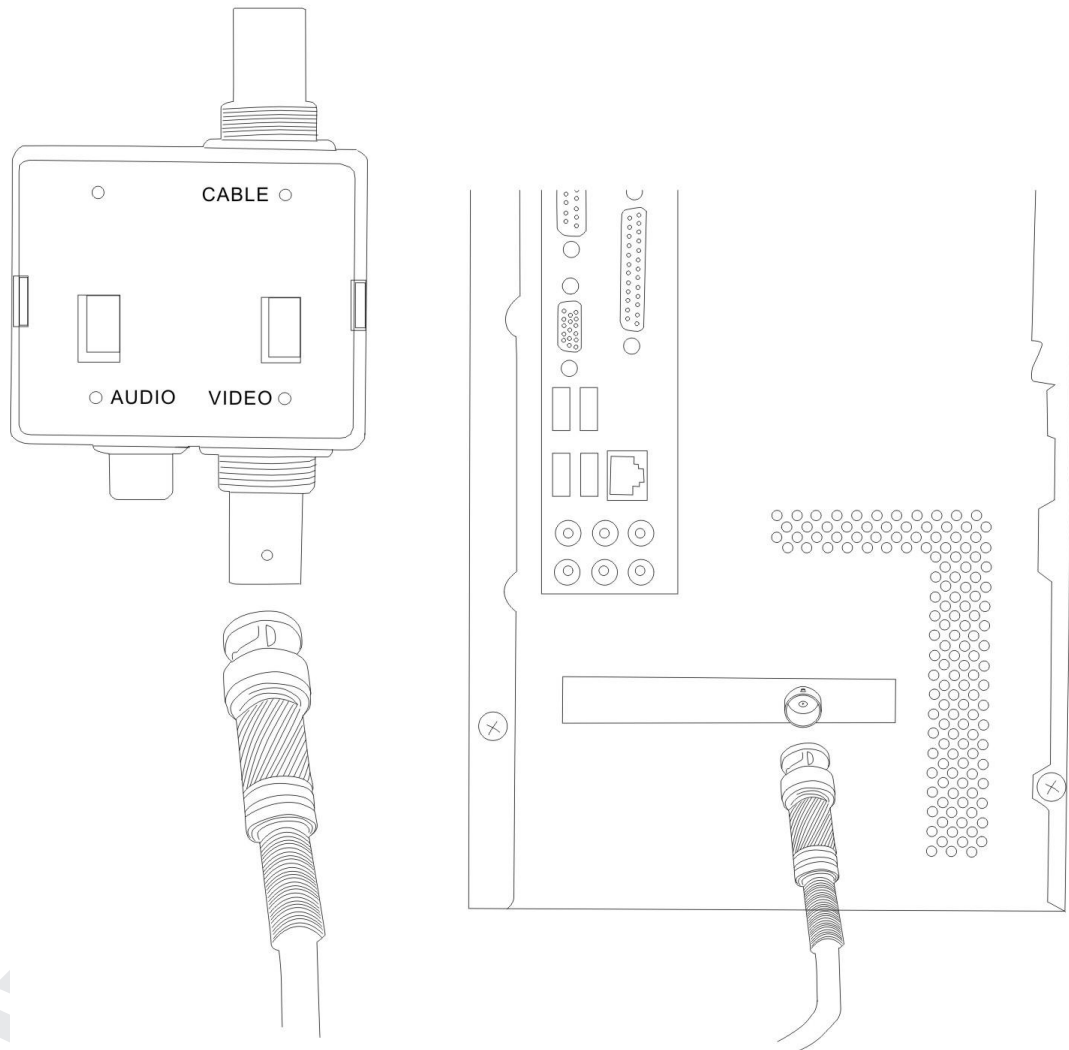


Connect the product with receiving console with cable interface

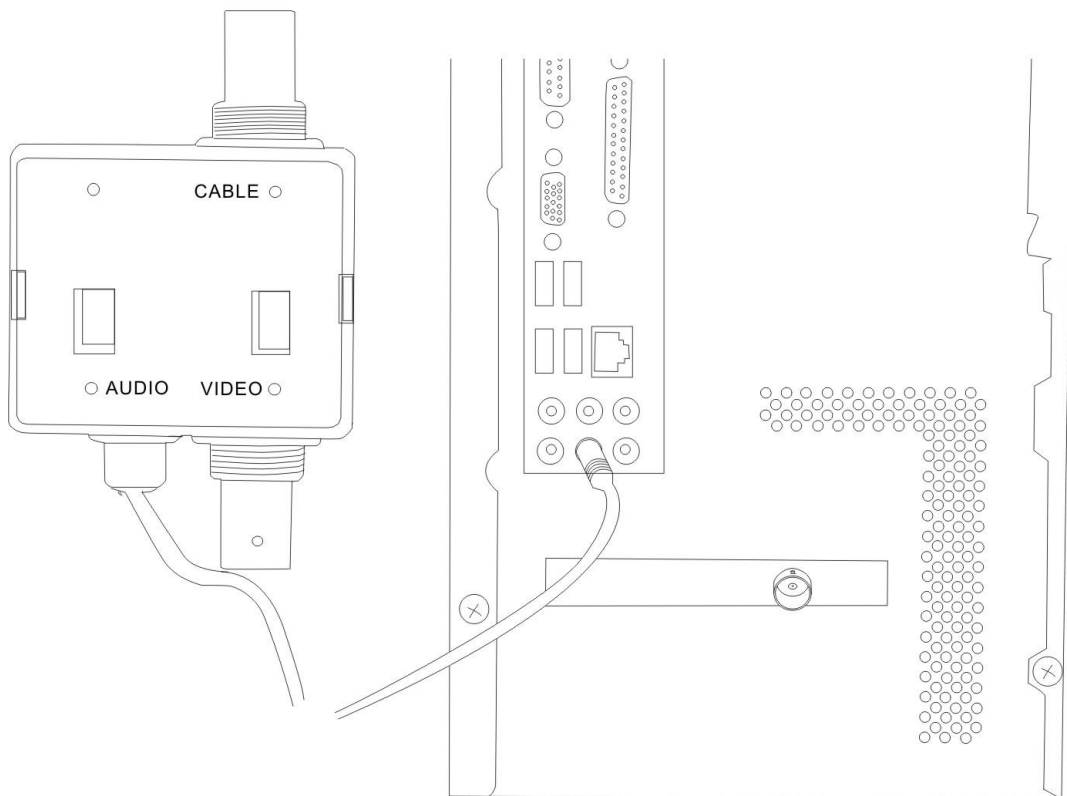
攝影機TX端



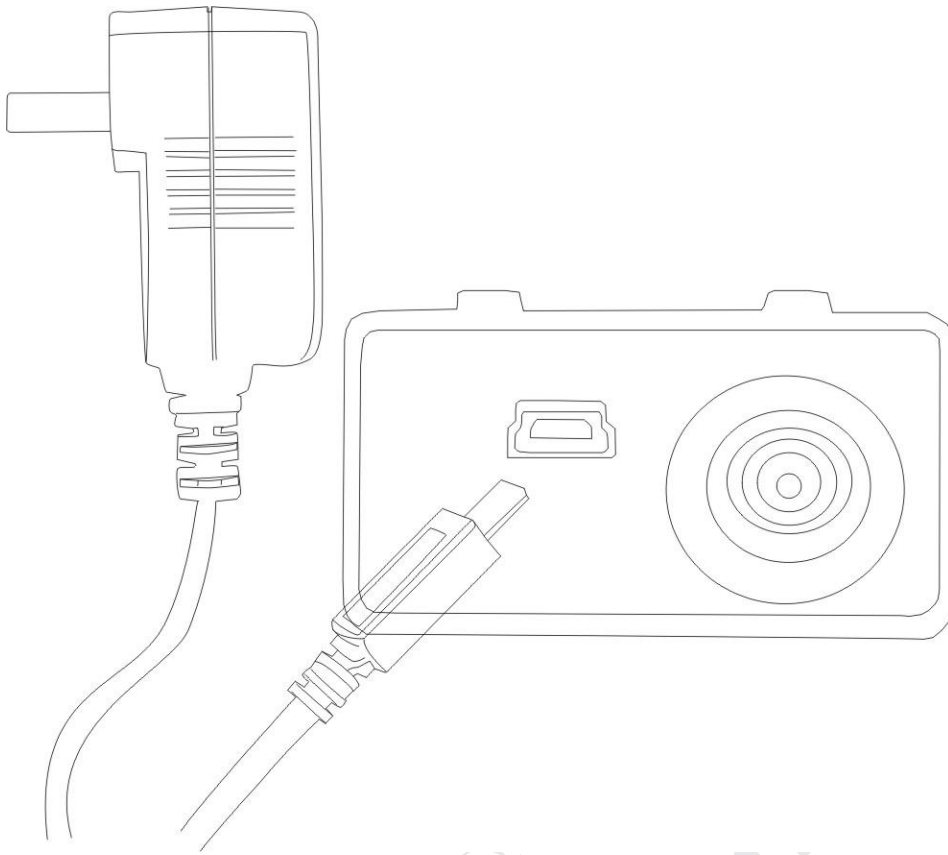
Connect cable to console's video input port.



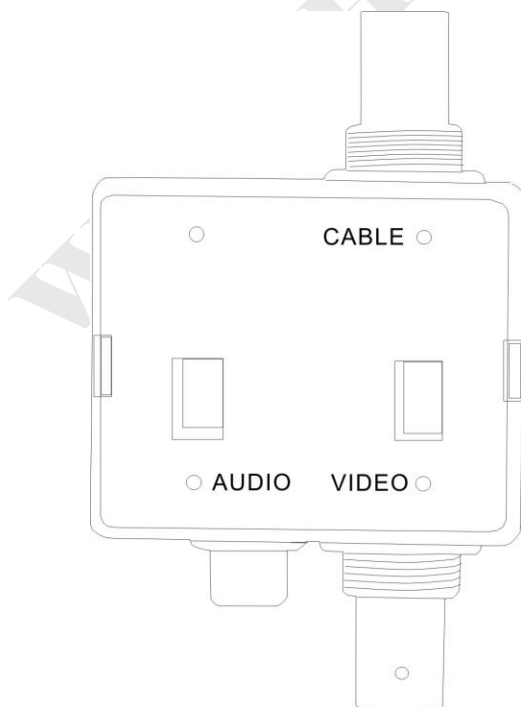
Connect audio cable to console's audio input port or other audio device.



Connect power cord to both receiving end and transmitting end.



Press and hold the Easy Setup button for 1-5 sec to enter setup mode



1、During setup mode, press and hold Easy Setup for 1 to 5 sec to switch between

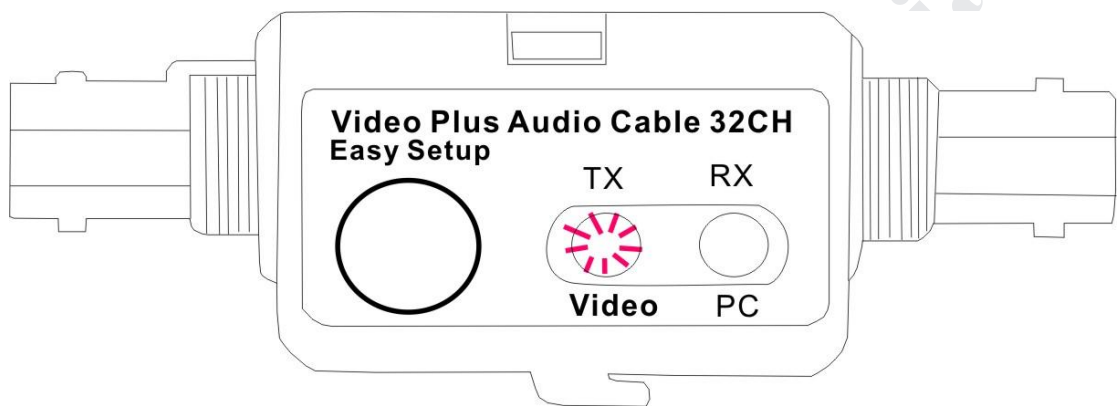
receiving/transmitting mode.

- 2、If matching is not completed within 3 minutes the product will automatically exit setup mode and return to the pervious setting.

Determining status by LED signal light

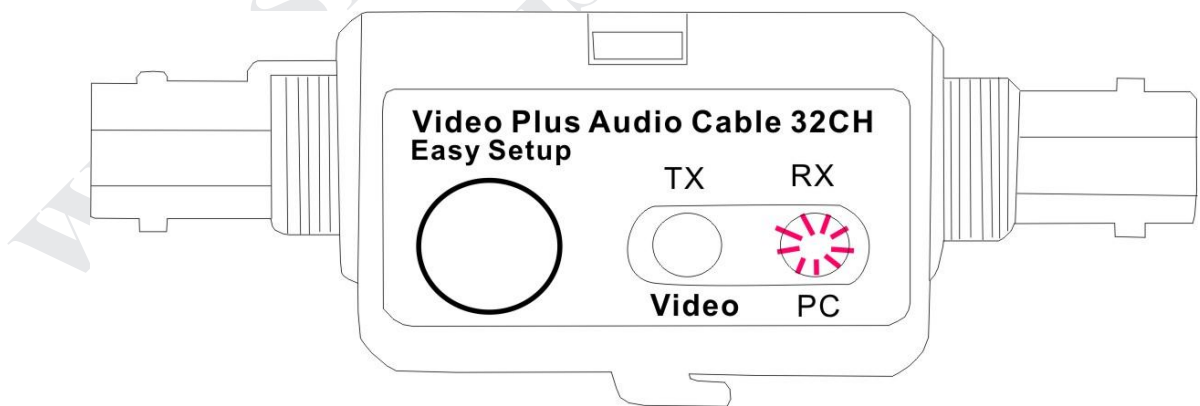
A)

TX	RX	Description
lit	dimmed	Regular transmitting mode (transmitting end)



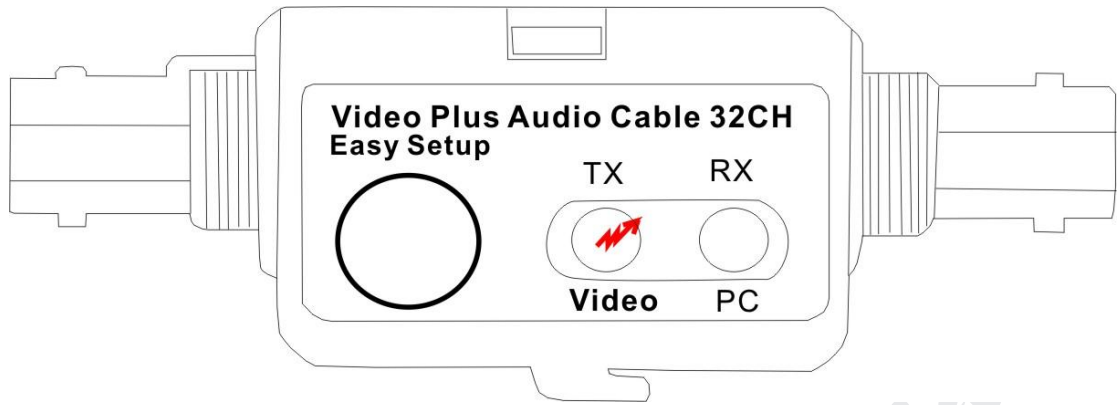
B)

TX	RX	Description
dimmed	lit	Regular receiving mode (receiving end)



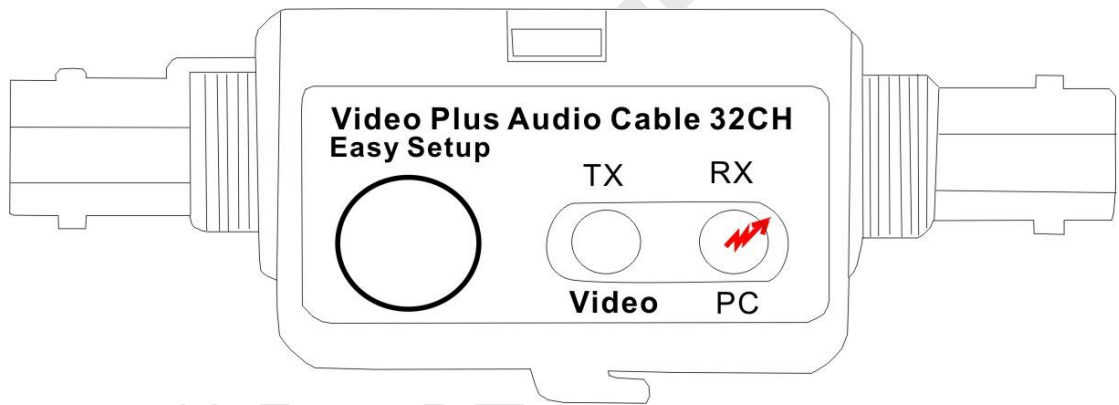
C)

TX	RX	Description
Blinking	Dimmed	Setting transmitting mode (transmitting end)



D)

TX	RX	Description
Dimmed	Blinking	Setting receiving mode (receiving end)



E)

TX	RX	Description
Dimmed	Dimmed	RDA5820NS Connection Error